



CIVILS

LANDSCAPING

AQUA

SPORT

RECYFIX[®] HICAP[®] TYPE G

EFFECTIVELY DRAINED - BUILT MODULAR
DRAINAGE- AND RETENTION SYSTEM FOR LARGER AREAS

 **hauraton**
IT'S RUNNING WELL



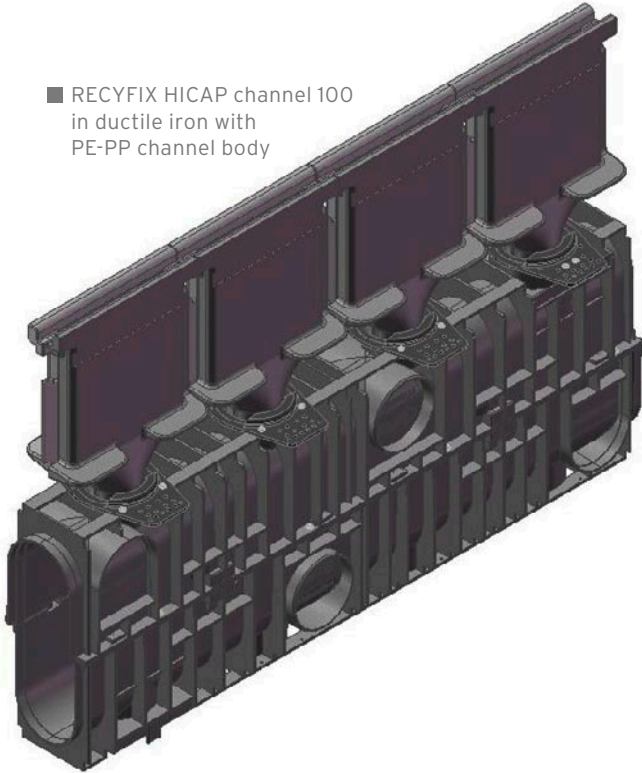
**THE FIRST
SLOTTED
CHANNEL
IN DUCTILE
IRON WITH A
PE-PP BODY**

RECYFIX®HICAP® TYP G

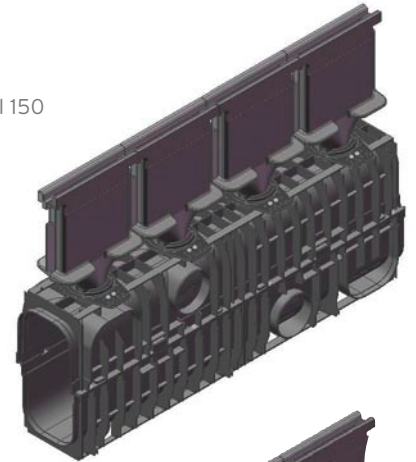
EFFECTIVE DRAINED - BUILT MODULAR

DRAINAGE- AND RETENTION SYSTEM FOR LARGER AREAS

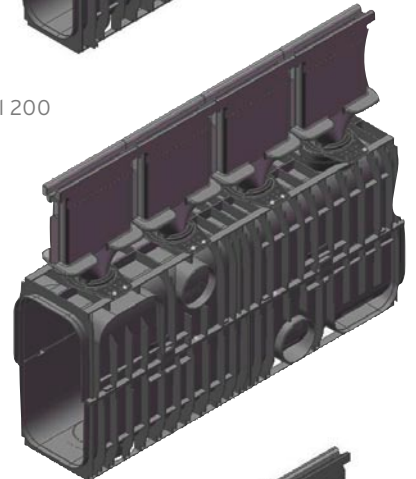
- RECYFIX HICAP channel 100 in ductile iron with PE-PP channel body



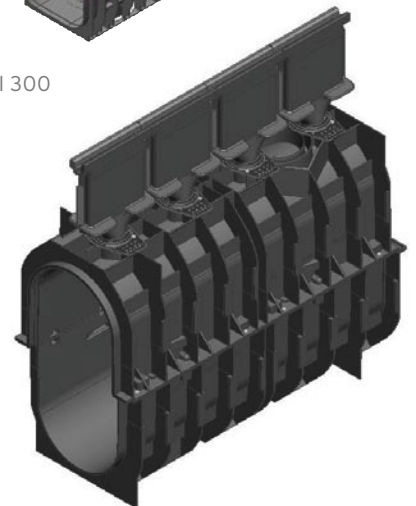
- RECYFIX HICAP channel 150 in ductile iron with PE-PP channel body



- RECYFIX HICAP channel 200 in ductile iron with PE-PP channel body



- RECYFIX HICAP channel 300 in ductile iron with PE-PP channel body



REQUIREMENT

Large public areas in high-quality architectural settings need surface drainage that blends in harmoniously and unobtrusively. Nevertheless, all rain water needs to be drained away reliably and quickly through a drainage system. The drainage should only need a few, central connection points to the canal. This requires the discharge of large quantities of water. The channel system is expected to cope with a large hydraulic capacity. In addition, the material at the surface must be capable of dealing with strong dynamic forces without any limitations in form, visual appeal or function.

RECYFIX HICAP channels have been tested according to DIN EN 1433 and are suitable for installation in load classes A 15 to F 900.



CLASS
A 15



CLASS
B 125



CLASS
C 250



CLASS
D 400

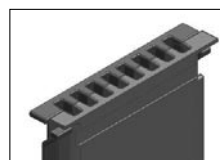


CLASS
E 600



CLASS
F 900

SLOT DESIGNS RECYFIX®HICAP® TYPE G



Traffic



Slot design



Industrial slot

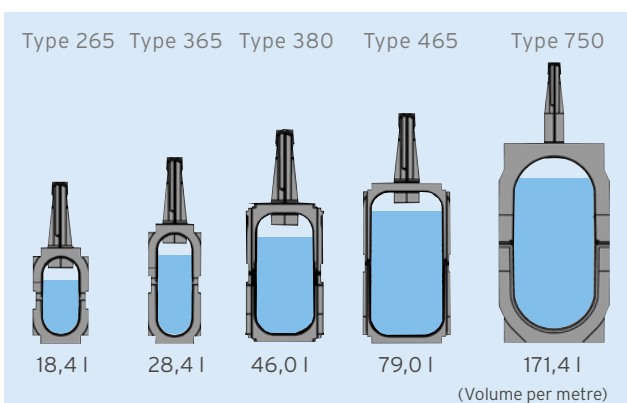


SOLUTION

The RECYFIX HICAP channel type G is the first slotted channel in ductile iron for surface drainage. It consists of a channel body made of 100% recycled PE-PP and an upper part with the slot inlet made of strong ductile iron GGG 50. The base and top of the channel are firmly connected with each other. During installation, only just one component needs to be laid per metre run. The RECYFIX HICAP type G system is offered in the nominal widths 100, 150, 200 and 300 mm.

It is possible to combine all nominal widths to form long drainage runs with increasing drainage cross sections. On the surface you see only one uniform drainage line. The range includes a number of different inlet slot variations. The system combines drainage channel and rain water canal. RECYFIX HICAP type G can be installed

RECYFIX®HICAP®: CHANNELS WITH RETENTION VOLUME



in all types of surface finishes. For example, paving and asphalt can be laid directly up to the channel.

APPLICATION AREAS

The RECYFIX HICAP channel type G can be specified for the drainage of all types of surfaces (paving, asphalt, concrete) and loads (up to class F 900 in accordance with DIN EN 1433).

ADVANTAGES

- stable and durable
- twice the hydraulic capacity offers maximum reliability during heavy rain events
- paving and asphalt can be laid directly up to the channel
- different unique slot designs for designers and landscape architects
- long channel runs can be connected to a canal at just one point
- provides drainage and retention at the same time
- suitable for radial drainage layout

SERVICE AND SUPPORT FOR ARCHITECTS AND ENGINEERS

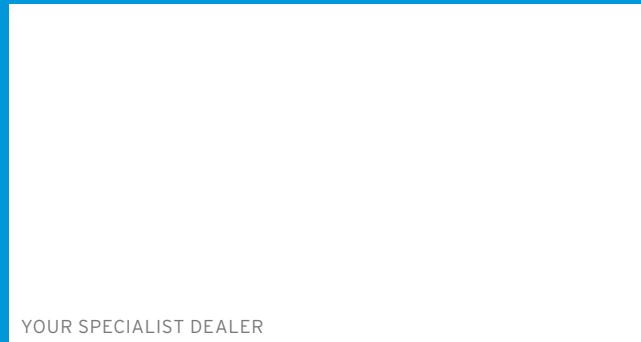
We provide the following service for architects, engineers and building contractors:

- tender specifications for individual projects
- individual design
- hydraulic calculations
- site layout and detailed drawings

AT A GLANCE:

- The first slotted channel in ductile iron with a PE-PP body
- Extremely stable and reliable
- Unique slot design for heavy duty traffic areas
- Twice the hydraulic volume using the RECYFIX®HICAP® System

HAURATON GMBH & CO. KG
WERKSTRASSE 13 76437 RASTATT
GERMANY
TEL. +49 7222 958 0
FAX +49 7222 958 110
INFO@HAURATON.COM
WWW.HAURATON.COM



TECHNISCHE ÄNDERUNGEN, DIE DEM FORT-
SCHRITT DIENEN, BEHALTEN WIR UNS VOR.

10/2008 | PRINTED IN GERMANY
ABBILDUNGEN, MASS- UND GEWICHTS-
ANGABEN SIND UNVERBINDLICH!

002-05-0908

Fax reply +49 72 22 958-1 10

Just tick the required box:

- I have a current project and would like to ask for your free individual design support.
- I would like one of your technical advisers to visit me.
- I am interested in your product range. Please send me your complete design information pack.

Company

Name/first name

Street address, postbox

Postcode / town

Telephone/Fax

EMail