

# The benefits of **Slotted Channels**



## Individual solutions

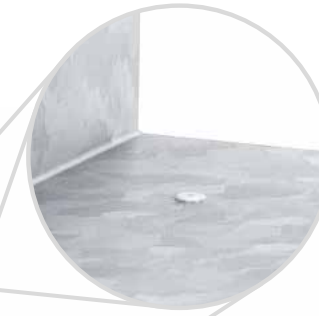
- slotted covers made of: galvanised or stainless steel
- symmetrical and asymmetrical versions
- individual slotted covers with modified neck height, crossbars in the slot and more designs possible
- easy preparation of corner connections possible

= flexibility

## Technical features of the covers

- reinforcements under the cover and material thickness provide perfect balance between weight and stability
- Class D 400: material thickness 4 mm

= quality / security



## Easy installation

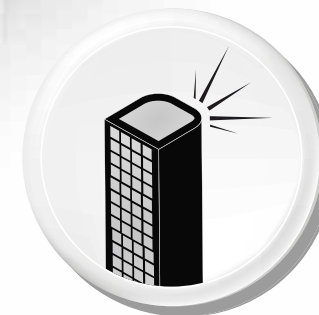
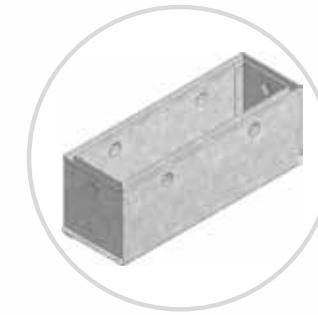
- easy handling and installation
- integrated groove and tongue connection of channels and covers - allows an easy installation without long adjustment

= cost reduction

## Connection possibilities

- access covers fit on channels and trash boxes
- connection to sewage pipes are possible from trash box and channels (from the side or bottom)

= flexibility



## Attractive product

- perfectly designed drainage line blends harmoniously in the appearance of the object - slot width 12.5 mm for class A - C, slot width 18 mm for class D

= uniqueness / exclusiveness / originality