

# SPORTFIX® PRO

Light and durable track drainage.





A long, dark, ribbed drainage channel is installed in a reddish-brown carpeted area. The channel is made of a dark material with a series of raised, parallel ridges. It is laid out in a slightly curved path across the carpet. A red callout box is overlaid on the right side of the image, containing text and a list of features.

## At a glance

- ✓ channels made from recycled PP
- ✓ easy and fast to install
- ✓ installation in straight and curved areas possible

# SPORTFIX® PRO

## SPORTFIX® PRO Channels:

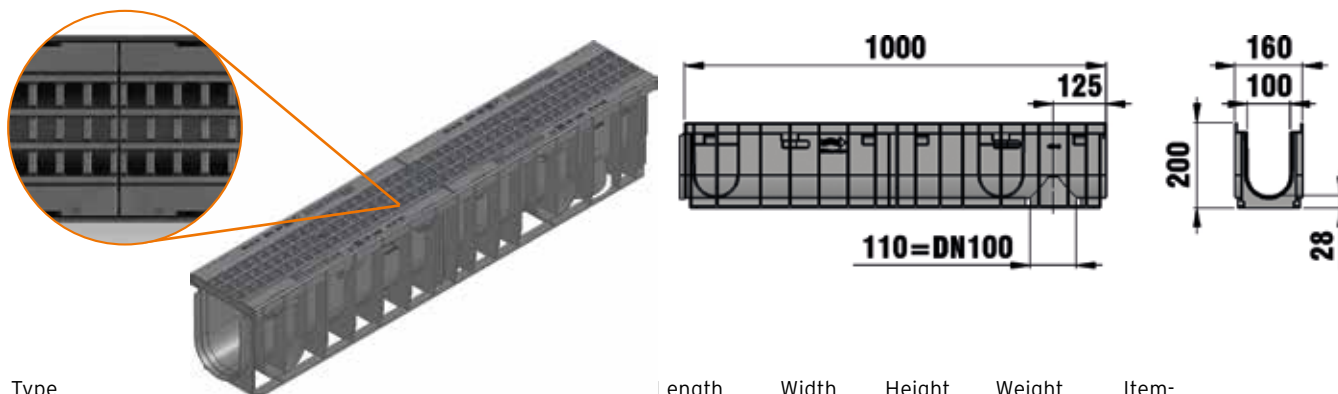
- channels made of PP and gratings made of high-quality PA-GF (Polyamide)
- drainage system according EN 1433
- lightweight, robust and easy to install
- no gap in the curved area through the groove and tongue system



Optional second drainage level - page 18

## SPORTFIX® PRO Channel

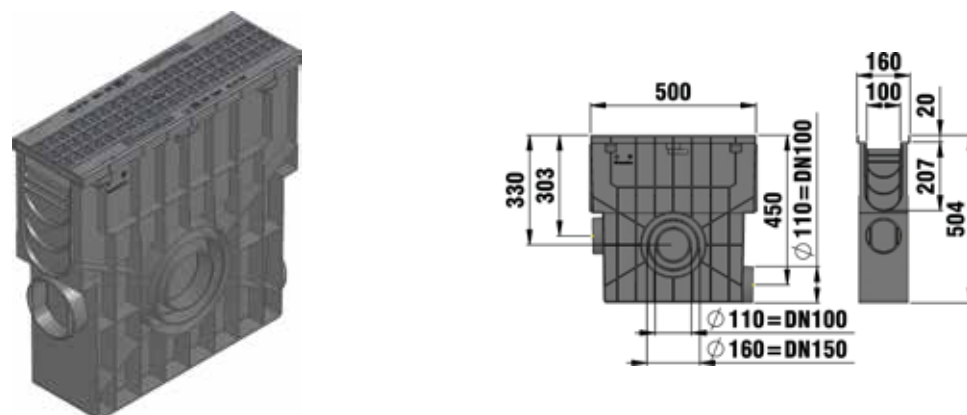
Type 010, with GUGI-Grating made of PA-GF, MW 15/25, black, locked



Type	Length mm	Width mm	Height mm	Weight kg	Item-no.
Type 01, with GUGI-Grating made of PA-GF, MW 15/25, black, locked	1000	160	150	4,2	7511
Type 010, with GUGI-Grating made of PA-GF, MW 15/25, black, locked	1000	160	200	4,6	7510
Type 01005, with GUGI-Grating made of PA-GF, MW 15/25, black, locked	500	160	200	2,53	7512
Type 020, with GUGI-Grating made of PA-GF, MW 15/25, black, locked	1000	160	250	5,5	7513

## SPORTFIX® PRO Trash box

Trash box with mud bucket and GUGI-Grating made of PA-GF, MW 15/25, black, cl. B 125, locked



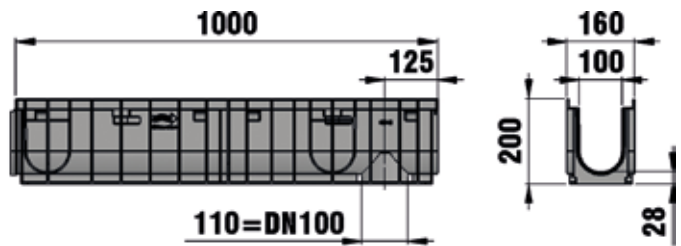
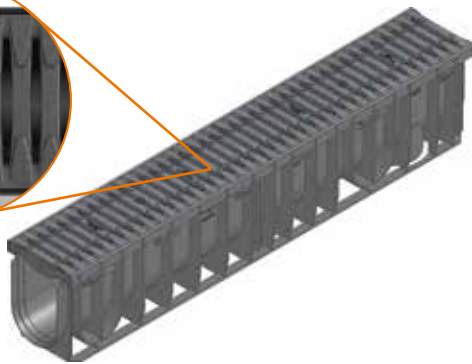
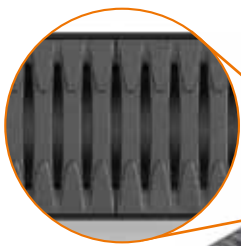
Type	Length mm	Width mm	Height mm	Weight kg	Item-no.
Trash box with mud bucket and GUGI-Grating made of PA-GF, MW 15/25, black, cl. B 125, locked	500	160	504	5,8	7515



**also available in  
colours on request**

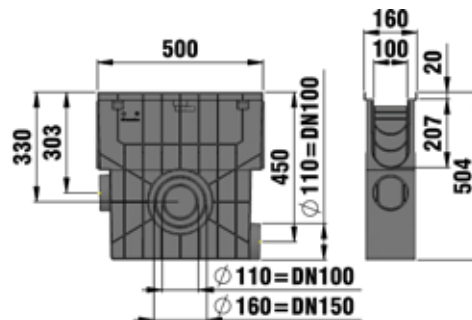
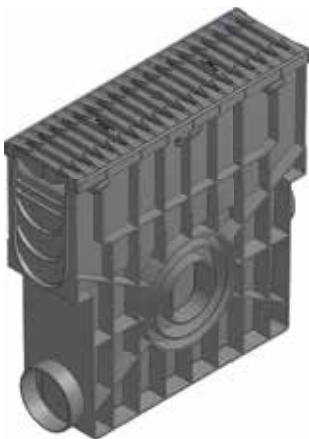
## SPORTFIX® PRO Channels

Type 010, with FIBRETEC slotted grating,  
SW 9 mm, black, locked



Type	Length mm	Width mm	Height mm	Weight kg	Item- no.
Type 01, with FIBRETEC slotted grating, SW 9 mm, black, locked	1000	160	150	4,5	7521
Type 010, with FIBRETEC slotted grating, SW 9 mm, black, locked	1000	160	200	4,9	7520
Type 01005, with FIBRETEC slotted grating, SW 9 mm, black, locked	500	160	200	2,4	7522
Type 020, with FIBRETEC slotted grating, SW 9 mm, black, locked	1000	160	250	5,7	7523

Trash box with mud bucket and FIBRETEC  
slotted grating, SW 9 mm, black, cl. C 250



Type	Length mm	Width mm	Height mm	Weight kg	Item- no.
Trash box with mud bucket and FIBRETEC slotted grating, SW 9 mm, black, cl. C 250	500	160	504	5,9	7525