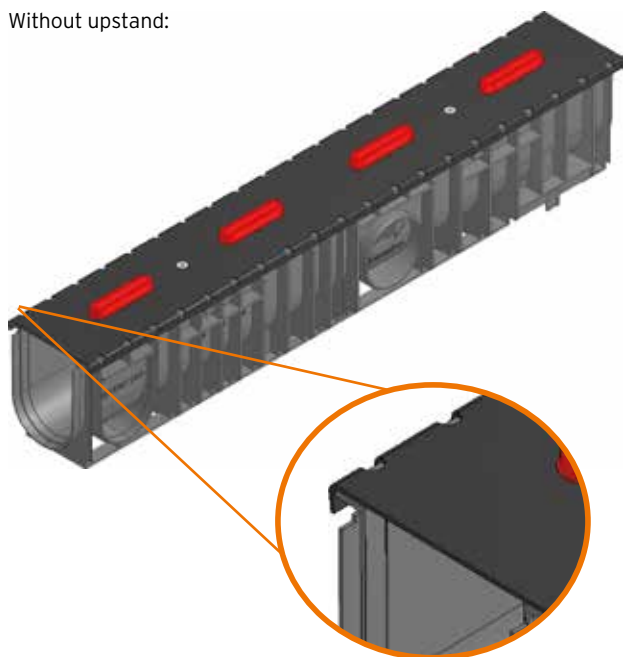


SPORTFIX® Slotted Channels

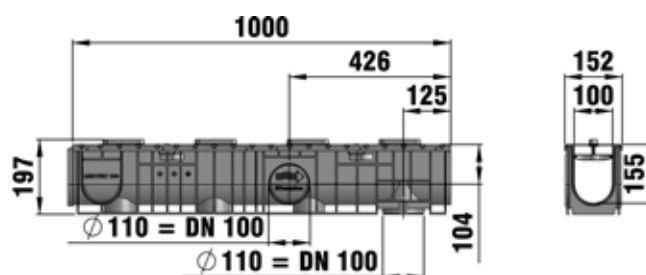
SPORTFIX® Slotted Channels

- CDP-coating to ensure a perfect join with the running track surface.
- EPDM slots that are easily opened using a screwdriver once the track surface has been laid.

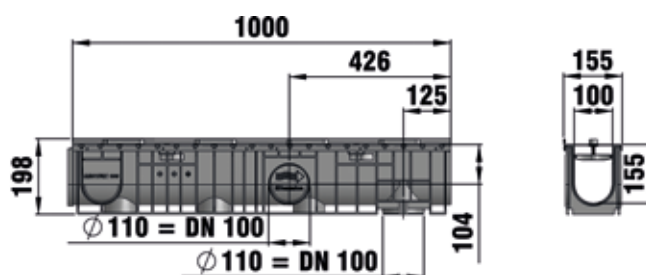
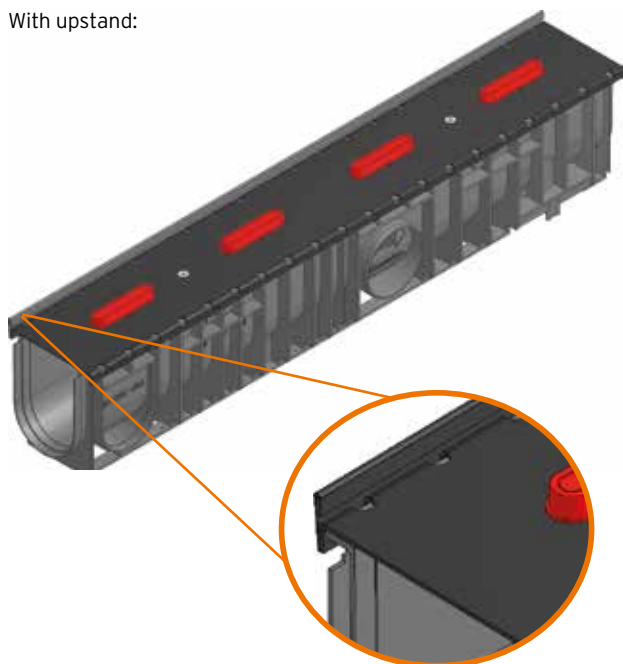
Without upstand:



Optional second drainage level - page 18



With upstand:



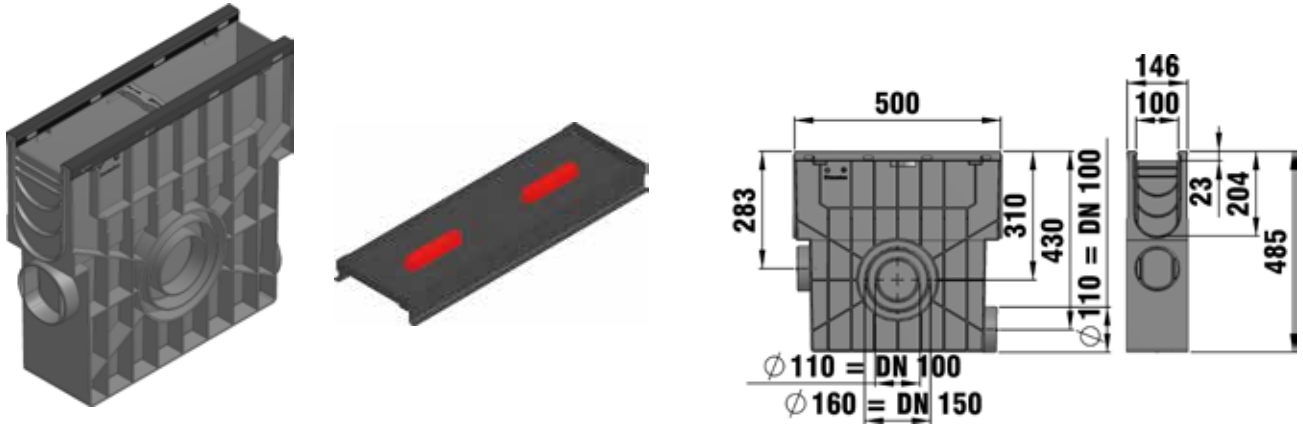
Type

Type	Length mm	Width mm	Height mm	Weight kg	Item- no.
SUPER type O1 without upstand, straight	1000	152	133	5,2	7811
SUPER type O1, with upstand, straight	1000	152	148	6,4	7821
SUPER type O10 without upstand, straight	1000	152	184	5,8	7810
SUPER type O10, with upstand, straight	1000	152	199	6,4	7820

SPORTFIX® Trash box

- made of PP
- fits seamlessly with the corresponding channel

Trash box 100 with mud bucket



Type	Length mm	Width mm	Height mm	Weight kg	Item- no.
Trash box 100 with mud bucket	500	146	485	4,4	7830
Access cover, KTL-coated	500	168	41	2,8	7785

Lateral openings for channels - Second drainage level

- optional one-sided or double-sided
- for every channel system

