



CIVILS

LANDSCAPING

AQUA

SPORT

RECYFIX[®] PRO



INNOVATIVE DRAINAGE SYSTEM MADE OF PE-PP AND PA-GF
FOR DOMESTIC AND COMMERCIAL APPLICATIONS UP TO LOADING CLASS C 250

 **hauraton**
IT'S RUNNING WELL

**NOW WITH NEW
FIBRETEC[®] GRATING**



RECYFIX®PRO

INNOVATIVE DRAINAGE SYSTEM MADE OF PE-PP AND PA-GF

FOR DOMESTIC AND COMMERCIAL APPLICATIONS UP TO LOADING CLASS C 250

RECYFIX®PRO channels meet the requirements of DIN EN 1433 and are suitable for the following loading capacities:

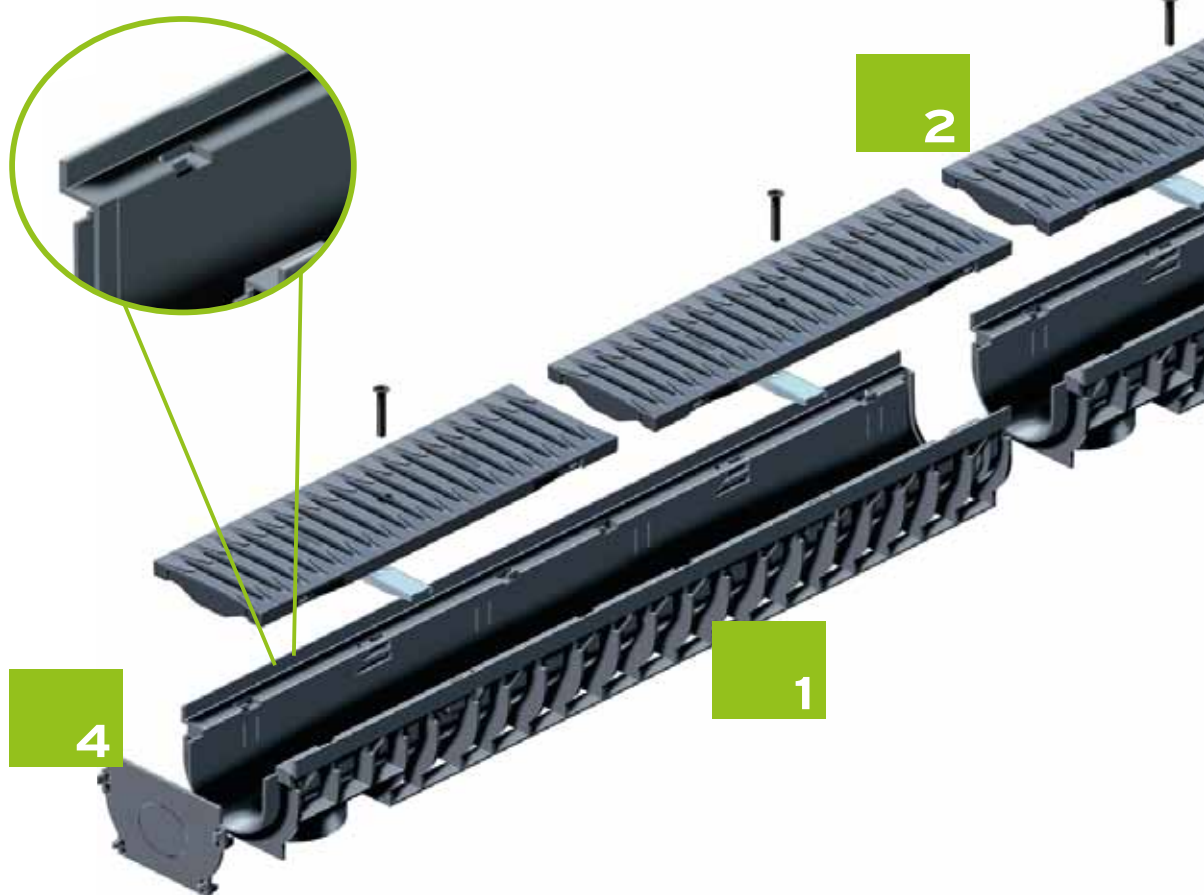


**CATEGORY B 125,
LOAD CLASS 125 KN**



**CATEGORY C 250,
LOAD CLASS 250 KN**

Edge protection with 5 mm wall thickness



GRATING OPTIONS FOR RECYFIX®PRO CHANNELS

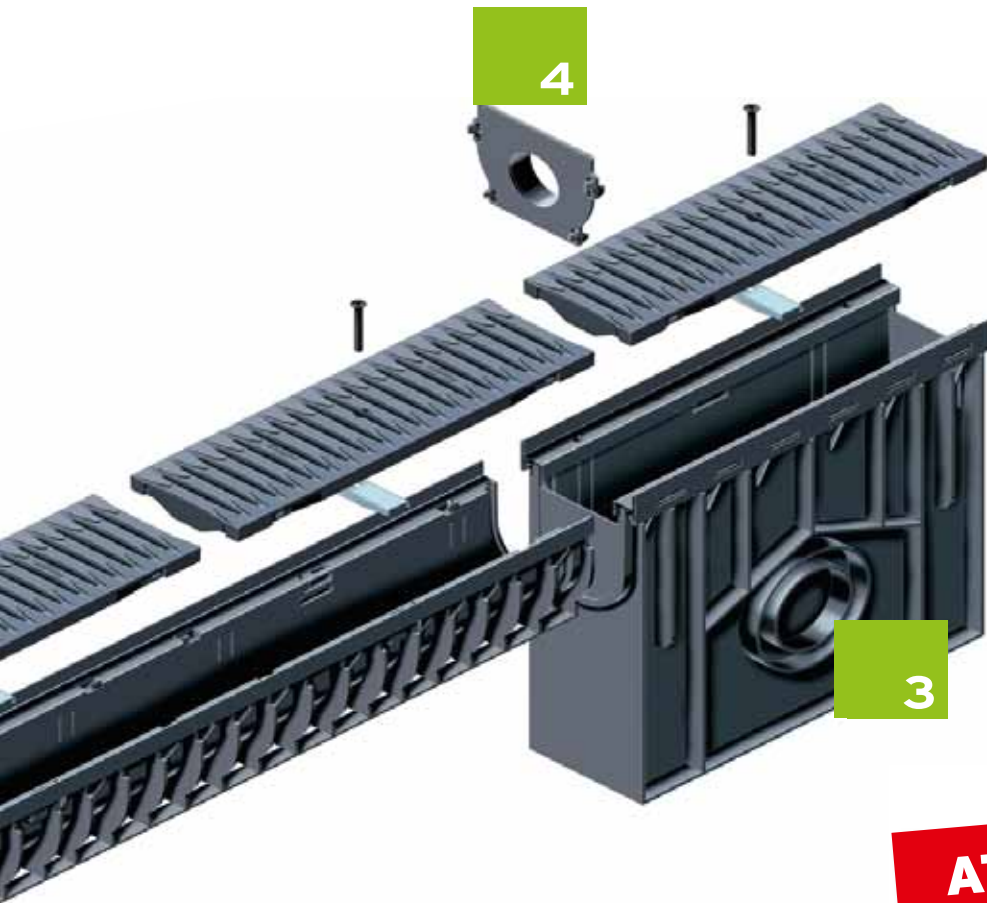
GUGI-Grating made of PA-GF, MW 20/30, black



FIBRETEC® Slotted grating, SW 9 mm, black



Classe de charge		
B 125	100	
C 250		100



AT A GLANCE

- ✓ Channel made of PE-PP and grating made of high-quality PA-GF (Polyamide)
- ✓ drainage system according EN 1433 up to loading capacity C 250
- ✓ lightweight, robust and easy to install

1

- Channels made of PE-PP, according DIN V 19580 / EN 1433, CE-conform, with tongue and groove connection

2

- FIBRETEC® Slotted grating, SW 9 mm, black

3

- Trash box with pipe-connection possibilities

4

- End caps with or without outlet

FIBRETEC® SLOTTED GRATING

INNOVATIVE GRATING MADE OF PA-GF FOR RECYFIX PRO
CORROSION-FREE, WITH OPTIMISED HYDRAULICS AND UNIQUE DESIGN

NEW



AT A GLANCE

- ✓ corrosion-free
- ✓ optimised hydraulics
- ✓ unique design

Evolutionary history of the unique FIBRETEC® Slotted grating:



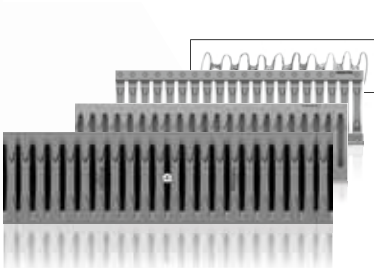
„The basis of our product development always starts by *listening to our customers*. They asked for innovative ideas to solve the topic of corrosion once and for all. That's why we started to search for ideas.“

Dieter Bastian
Sales Director HAURATON



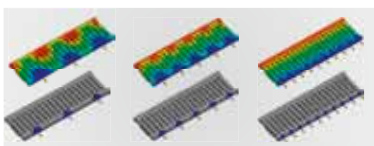
„Several *high quality synthetic materials* were tested. Finally the result was something that even exceeded our requirements.“

Prof. Dr. Jürgen Gundrum
Director of STZ IKET



„The *structure of the bottom side* of the grating was crucial to the fstability, where a lot of time was invested.“

Prof. Dr. Ing. Bernhard Rief
STZ IKET



„How many direct gatings? The results of the *Mould-Flow-Study* showed us how to construct the injection-moulding-tool in the best way.“

Dipl. Ing. Karl Radimersky
Chief Construction HAURATON



„Only the *loading and hydraulic tests* really proved that all functions and parameter were 100% fulfilled.“

Dr. Bernd Schiller
Head of Research & Development HAURATON

RECYFIX®PRO

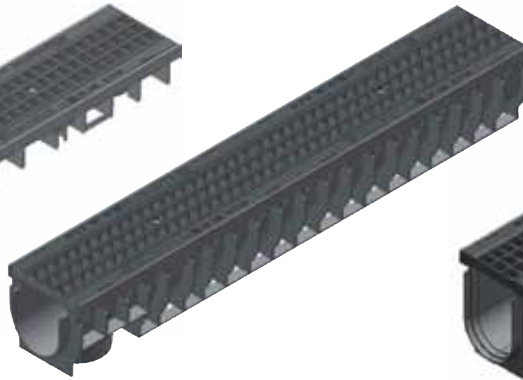
INNOVATIVE DRAINAGE SYSTEM MADE OF PE-PP AND PA-GF

FOR DOMESTIC AND COMMERCIAL APPLICATIONS UP TO LOADING CLASS C 250

RECYFIX®PRO 100 - combi article, class B 125



Type 75 with GUGI-Grating made of PA-GF, MW 20/30, black, locked



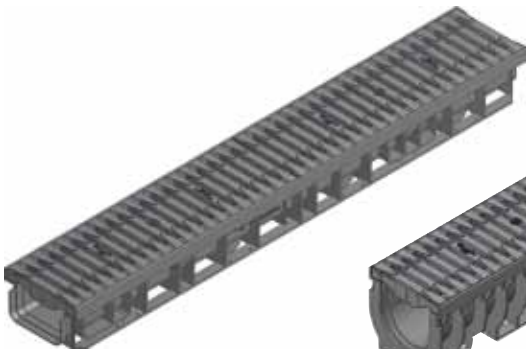
Type 01 with GUGI-Grating made of PA-GF, MW 20/30, black, locked



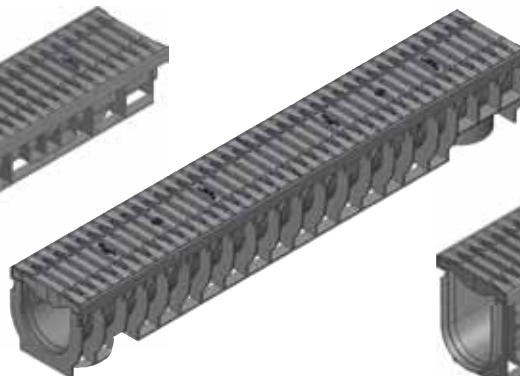
Type 010 with GUGI-Grating made of PA-GF, MW 20/30, black, locked

	Length mm	Width mm	Height mm	Weight kg	Unit / palette	Article No.
Type 75 with GUGI-Grating made of PA-GF, MW 20/30, black, locked	1000	160	75	2,9	84	47032
Type 95 with GUGI-Grating made of PA-GF, MW 20/30, black, locked	1000	160	95	3,0	-	47033
Type 01 with GUGI-Grating made of PA-GF, MW 20/30, black, locked	1000	160	151	4,1	49	47035
Type 0105 with GUGI-Grating made of PA-GF, MW 20/30, black, locked	500	160	151	2,1	98	47036
Type 010 with GUGI-Grating made of PA-GF, MW 20/30, black, locked	1000	160	201	4,7	35	47040
Type 01005 with GUGI-Grating made of PA-GF, MW 20/30, black, locked	500	160	201	2,5	70	47041

RECYFIX®PRO 100 - combi article, class C 250



Type 95 with FIBRETEC Slotted grating, SW 9 mm, black, locked



Type 01 with FIBRETEC Slotted grating, SW 9 mm, black, locked



Type 010 with FIBRETEC Slotted grating, SW 9 mm, black, locked



	Length mm	Width mm	Height mm	Weight kg	Unit / palette	Article No.
Type 75 with FIBRETEC Slotted grating, SW 9 mm, black, locked	1000	160	75	2,9	84	47062
Type 95 with FIBRETEC Slotted grating, SW 9 mm, black, locked	1000	160	95	3,3	-	47063
Type 01 with FIBRETEC Slotted grating, SW 9 mm, black, locked	1000	160	151	4,1	49	47055
Type 0105 with FIBRETEC Slotted grating, SW 9 mm, black, locked	500	160	151	2,1	98	47056
Type 010 with FIBRETEC Slotted grating, SW 9 mm, black, locked	1000	160	201	4,6	35	47060
Type 01005 with FIBRETEC Slotted grating, SW 9 mm, black, locked	500	160	201	2,3	70	47061

RECYFIX®PRO 100 - accessories



Trash box with GUGI-Grating made of PA-GF, MW 20/30, black, locked



Trash box with FIBRETEC Slotted grating, SW 9 mm, black, locked



End cap closed, made of PE-PP, for type 75



End cap combined, made of PE-PP, with outlet DN 100, for type 01



End cap combined, made of PE-PP, with outlet DN 70/100, for type 010

	Length mm	Width mm	Height mm	Weight kg	Unit / palette	Article No.
Trash box with GUGI-Grating made of PA-GF, MW 20/30, black, locked	500	160	438	4,9	28	47053
Trash box with FIBRETEC Slotted grating, SW 9 mm, black, locked	500	160	438	5,0	28	47054
End cap closed, made of PE-PP, for type 75	-	-	-	0,03	-	47097
End cap closed, made of PE-PP, for type 95*	-	-	-	0,04	-	47098
End cap combined, made of PE-PP, with outlet DN 100, for type 01	-	-	-	0,10	-	47091
End cap combined, made of PE-PP, with outlet DN 70/100, for type 010	-	-	-	0,11	-	47093

* available from middle of September 2010