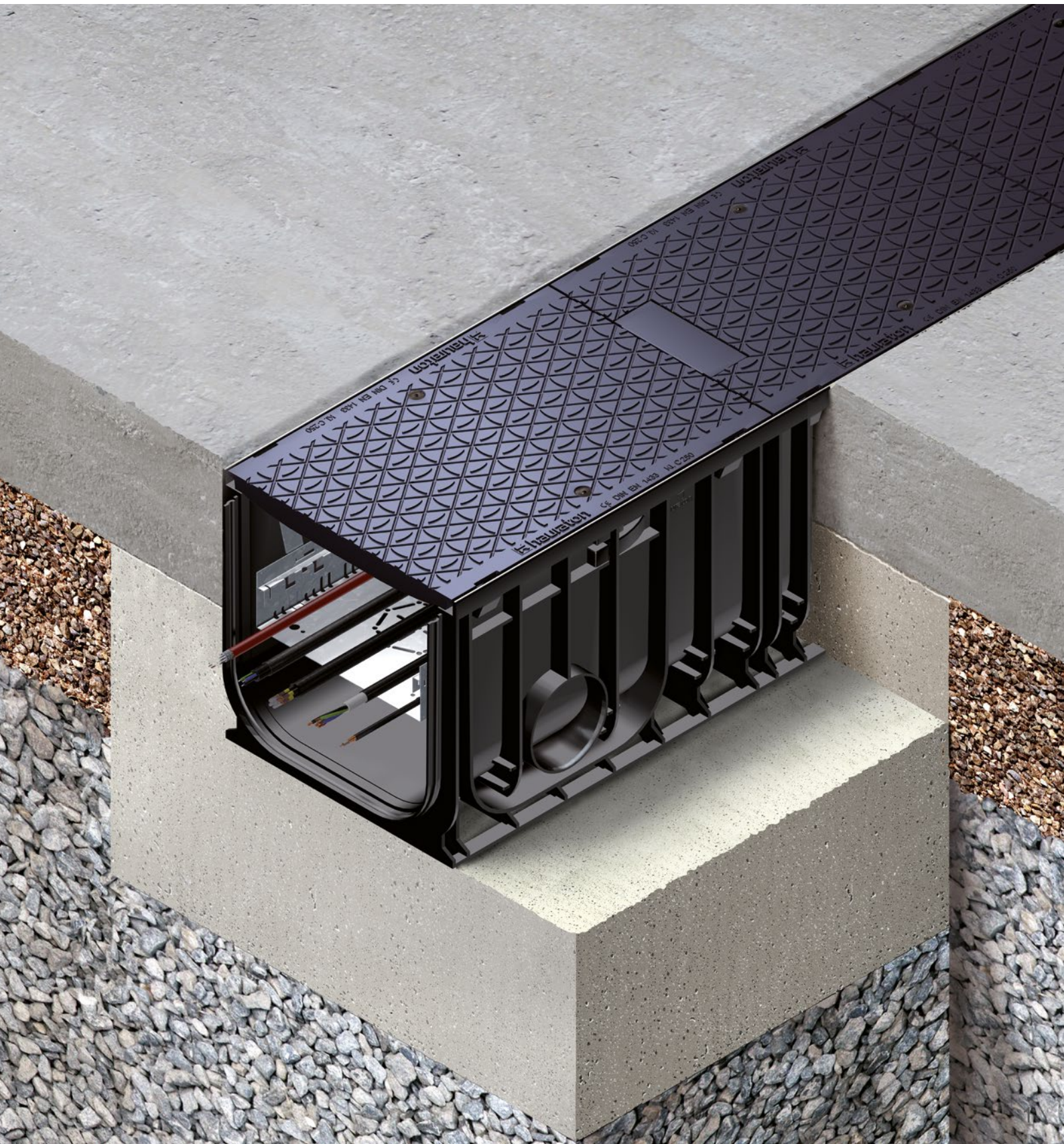


# SERVICE CHANNEL

Accessible, floor-mounted system for temporary or permanent organisation and management of supply and information cables.







# SERVICE CHANNEL

Accessible, floor-mounted system for temporary or permanent organisation and management of supply and information cables.

## 1 Requirements

Ground installed SERVICE CHANNELS have to:

- ensure a temporary or permanent operation
- withstand daily changing requirements under extreme loads
- offer a quick, easy and flexible installation
- allow quick access everywhere
- make the cable routing invisible

## 2 Application areas

- exhibition halls
- production workshops
- stadiums

## 3 Solutions

The SERVICE CHANNEL System is a tried-and-tested solution for a variety of applications. It offers:

- channel systems made of high-quality materials such as fibre reinforced concrete or 100% recycled composite for maximum stability and security
- a simple installation with various connection possibilities like T- and corner-connections for cost savings and flexibility
- inside cable routing for an attractive overall appearance with a large internal cross-section and optionally available cable-routing system



Henryk-Reyman-Stadium in Krakow, Poland





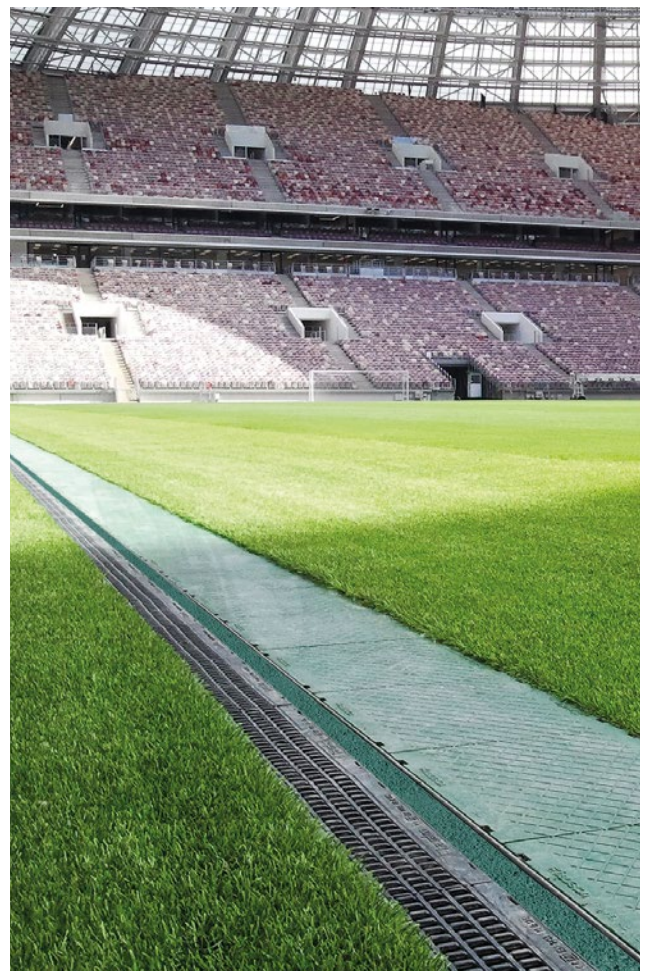
Warsaw Spire Office Building in Warsaw, Poland



Volvo prototype factory in Wrocław, Poland



Production Workshop RULMECA in Aschersleben, Germany



Luschniki-Stadium in Moscow, Russia

FASERFIX®  
SUPER

FASERFIX®  
KS

FASERFIX®  
BIG SLG

FASERFIX®  
BIG BLS

RECYFIX®  
PLUS X

RECYFIX®  
NC

RECYFIX®  
MONOTEC

RECYFIX®  
HICAP-PF

FASERFIX®  
POINT KS

FASERFIX®  
TRAFFIC GUGIBLOC  
RECYFIX®  
TRAFFIC GUGIBLOC

SERVICE  
CHANNEL

# YOUR BENEFITS WITH SERVICE CHANNEL FASERFIX KS

## HIGH-PERFORMANCE ANGLE HOUSING & BOLTLESS LOCKING SYSTEM SIDE-LOCK

- 20 mm x 20 mm angle housing and inlaying covers
- extremely stable connection between angle housing and concrete
- 8 fixing points for the cover
- additional protection against horizontal movement
- 90% time savings when fixing the cover
- Insertion of the cover without special tools, one screwdriver is sufficient

= **QUALITY ASSURED /  
COST SAVINGS**



## HIGH STABILITY

- maximum lateral stability
- extra thick wall thickness compared to many competitor products, for additional safety in extreme situations
- installation for asphalt surfaces up to class E 600, without concrete stretcher

= **PERFORMANCE ASSURED /  
DURABILITY**



## HIGH-GRADE MATERIAL

- "Made in Germany"
- maximum stability due to fibre-reinforced concrete (polypropylene fibres) with low weight
- strong adhesion on foundation concrete (same coefficient)
- installation without cover possible
- fire resistance class A1 (non-flammable) according to DIN 4102

= **QUALITY ASSURED /  
DURABILITY**



## UNIQUE DUCTILE IRON GRATINGS WITH NUMEROUS COMBINATION OPTIONS

- high-quality KTL-coating
- anti-slip feature
- extremely durable
- easy opening and closing of the cover due to boltless locking system **SIDE-LOCK**
- various covers: closed, with opening for cable outlet

= **DESIGN FLEXIBILITY / PERFORMANCE ASSURED**



## OPTIONAL BLIND COVER FOR DUCTILE IRON GRATING WITH CABLE OPENING

- KTL-coated
- easy opening and closing of the cable inlet and outlet

= **DESIGN FLEXIBILITY**



## LARGE, CLEAR CROSS-SECTION

- storage space for cables and wires
- optional on two levels (see cable routing system accessories)

= **DESIGN FLEXIBILITY**



## OPTIONAL CABLE-ROUTING SYSTEM

- for guiding cables and wires in an elevated position (see cable routing system accessories)
- easier laying and accessibility of cables and lines

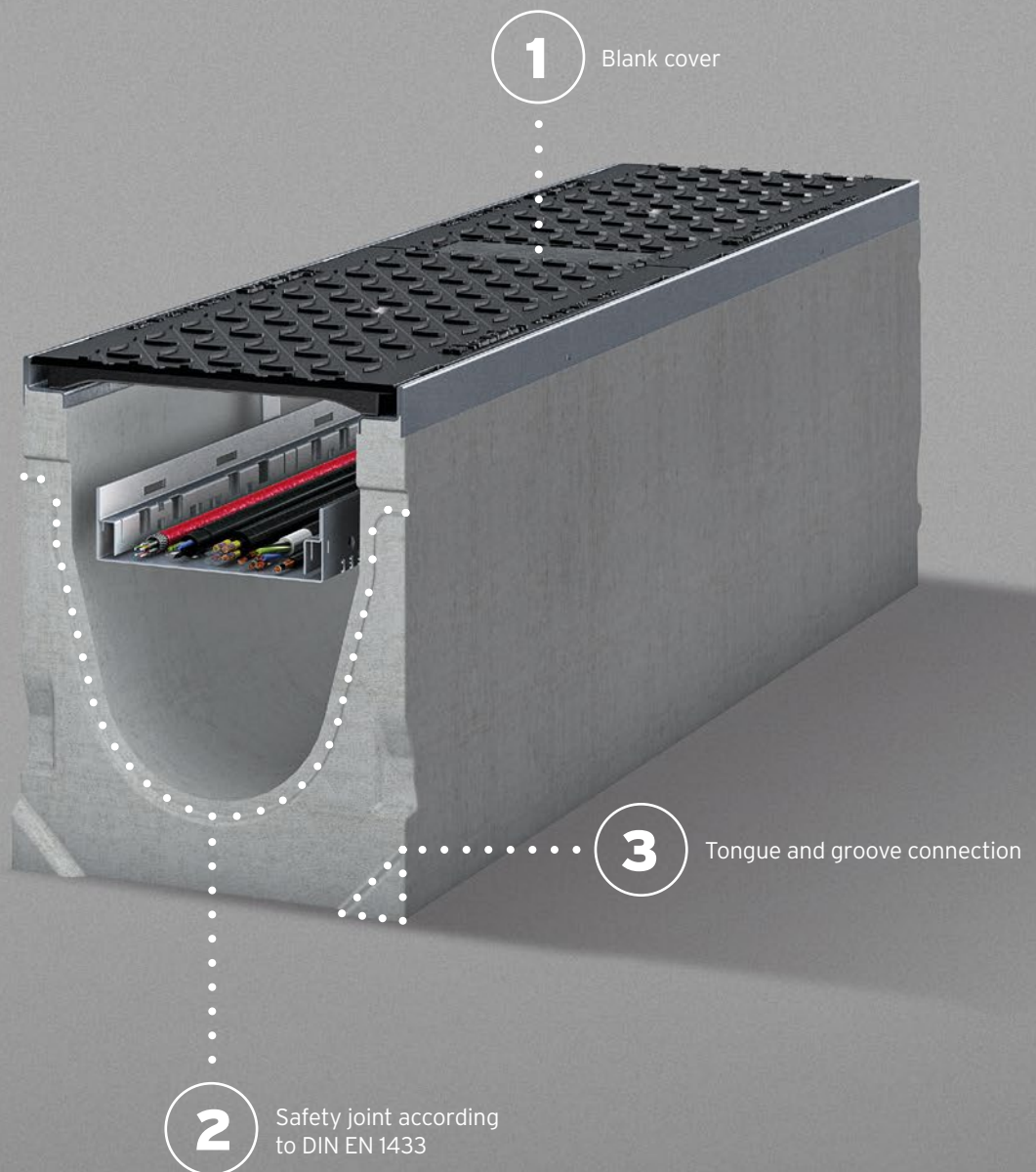
= **DESIGN FLEXIBILITY**





**IDEAL FOR ...**

applications for laying cables and lines in the ground which can be easily accessed at all times and the surfaces of which are driven on with heavy wheel loads.



# SERVICE CHANNEL FASERFIX KS

Accessible, floor-mounted system for temporary or permanent organisation and management of supply and information cables.

SERVICE CHANNEL FASERFIX KS channels meet the requirements of DIN EN 1433 and are suitable for the following load categories:



**Category A 15,**  
Load class 15 kN



**Category B 125,**  
Load class 125 kN



**Category C 250,**  
Load class 250 kN



**Category D 400,**  
Load class 400 kN



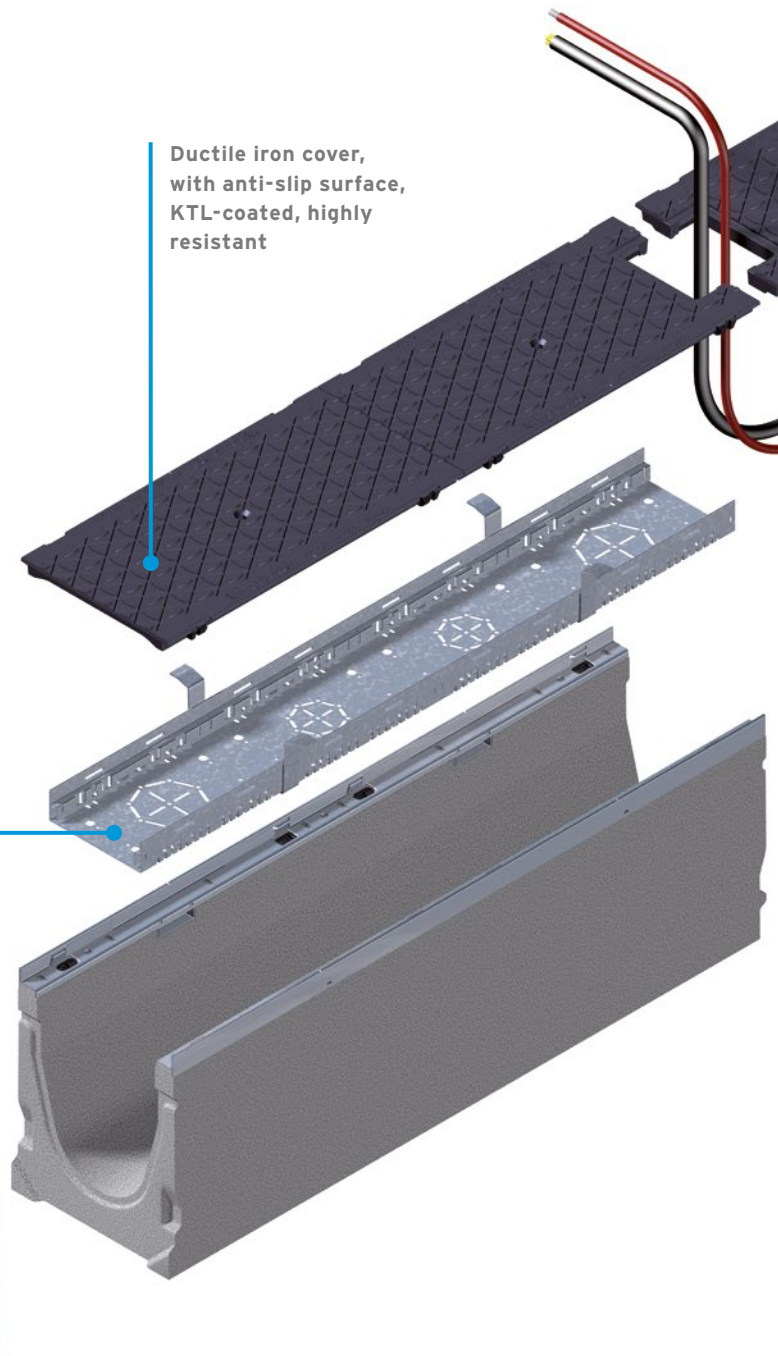
**Category E 600,**  
Load class 600 kN

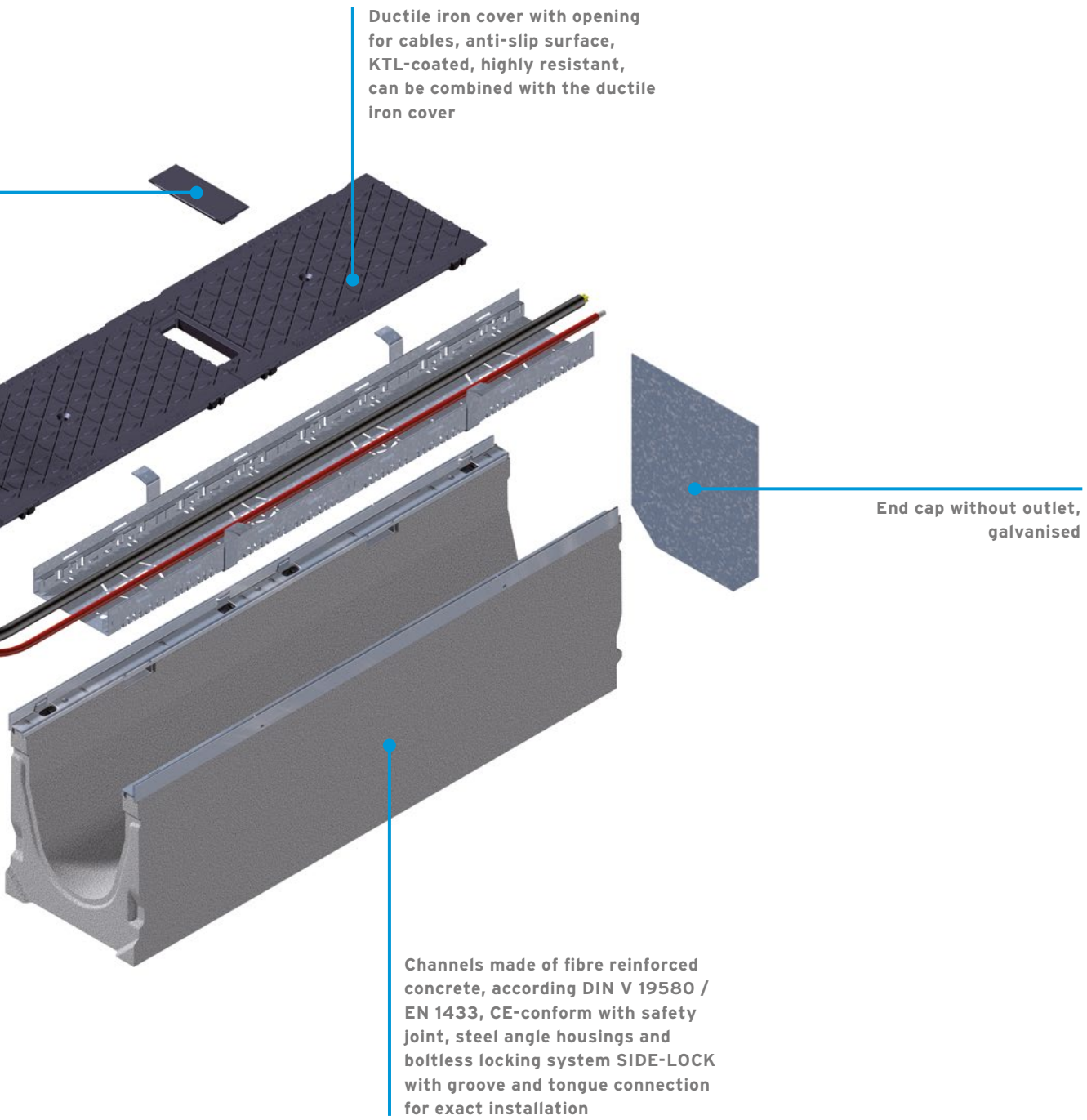
Cover for cable opening  
for ductile iron cover,  
black, KTL-coated

Ductile iron cover,  
with anti-slip surface,  
KTL-coated, highly  
resistant

Cable routing system  
galvanised for laying  
various media and cables

End cap without outlet,  
galvanised





FASERFIX®  
SUPER

FASERFIX®  
KS

FASERFIX®  
BIG-SLG

FASERFIX®  
BIG-BLS

RECYFIX®  
PLUS X

RECYFIX®  
NC

RECYFIX®  
MONOTEC

RECYFIX®  
HICAP-F

FASERFIX®  
POINT KS

FASERFIX®  
TRAFFIC GUGIBLOC  
RECYFIX®  
TRAFFIC GUGIBLOC

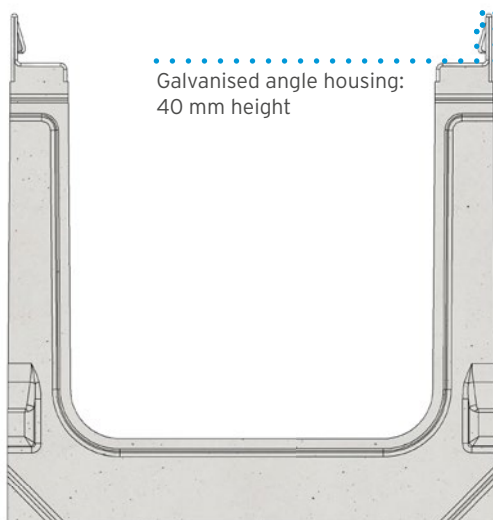
SERVICE  
CHANNEL



# STRONG. LARGE. RELIABLE.

## Ideal for:

Floor-mounted cable routing applications which can be easily accessed at all times and used as heavy-duty surfaces.



## SERVICE CHANNEL FASERFIX SUPER

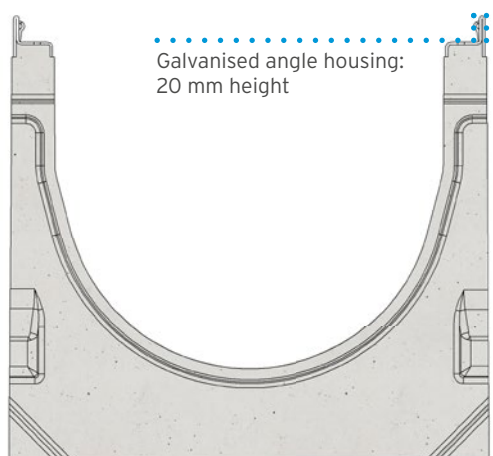
Made of fibre-reinforced concrete with 40 mm angle housing

### Nominal width:

- NW 150
- NW 200
- NW 300
- NW 400
- NW 500

### Load class:

**E 600;** extreme load situations and high dynamic forces



## SERVICE CHANNEL FASERFIX KS

Made of fibre-reinforced concrete with 20 mm angle housing

### Nominal width:

- NW 100
- NW 150
- NW 200
- NW 300

### Load class:

**E 600;** extreme load situations  
**C 250;** medium load situations with moderate traffic

# YOUR BENEFITS WITH SERVICE CHANNEL RECYFIX PRO

## ANGLE HOUSINGS

- recycled composite angle housing (PP) according to DIN 19580
- recesses for longitudinal thrust protection
- inlaying gratings

= **QUALITY ASSURED**



## LOW WEIGHT ENSURES EASY HANDLING ON SITE

- considerably lighter than channels made of polymer/resin concrete
- easy transport and installation

= **COST SAVINGS**



## HIGH-GRADE MATERIALS

- **RECYFIX** - robust and breakproof
- elastic and particularly resistant material
- withstands high traffic loads and temperature differences in daily use
- 100 % recycled channel body (and 100 % recyclable)
- 100 % environmentally friendly
- non-conductive
- the channel body made of PP can be cut, drilled and machined on site without any problems

= **PERFORMANCE ASSURED**



## UNIQUE DUCTILE IRON GRATINGS WITH VARIOUS COMBINATION OPTIONS

- high-quality KTL-coating
- anti-slip feature
- extremely durable
- various covers: closed, with opening for cable outlet

= **DESIGN FLEXIBILITY / PERFORMANCE ASSURED**



## OPTIONAL BLIND COVER FOR DUCTILE IRON GRATING WITH CABLE OPENING

- KTL-coated
- easy opening and closing of the cable inlet and outlet

= **DESIGN FLEXIBILITY**



## OPTIONAL CABLE ROUTING SYSTEM

- for guiding cables and wires in an elevated position (see cable routing system accessories)
- easier laying and accessibility of cables and lines

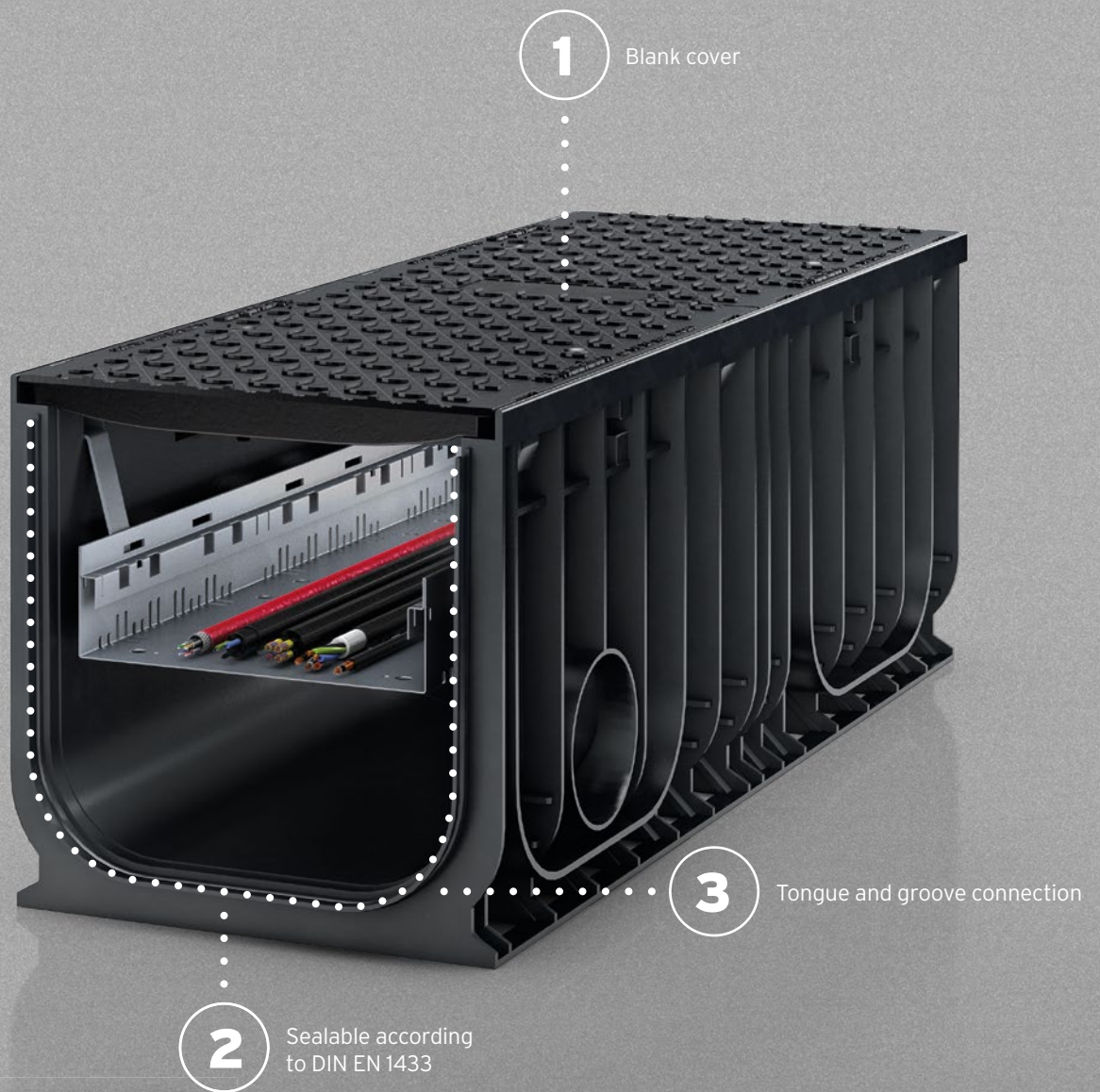
= **DESIGN FLEXIBILITY**





**IDEAL FOR ...**

ground installed cable routing applications which are easily accessible at all times.



**100 % corrosion-free**

# SERVICE CHANNEL RECYFIX PRO

Accessible, floor-mounted system for temporary or permanent organisation and management of supply and information cables.

SERVICE CHANNEL RECYFIX PRO channels meet the requirements of DIN EN 1433 and are suitable for the following load categories:



**Category A 15,**  
Load class 15 kN



**Category B 125,**  
Load class 125 kN

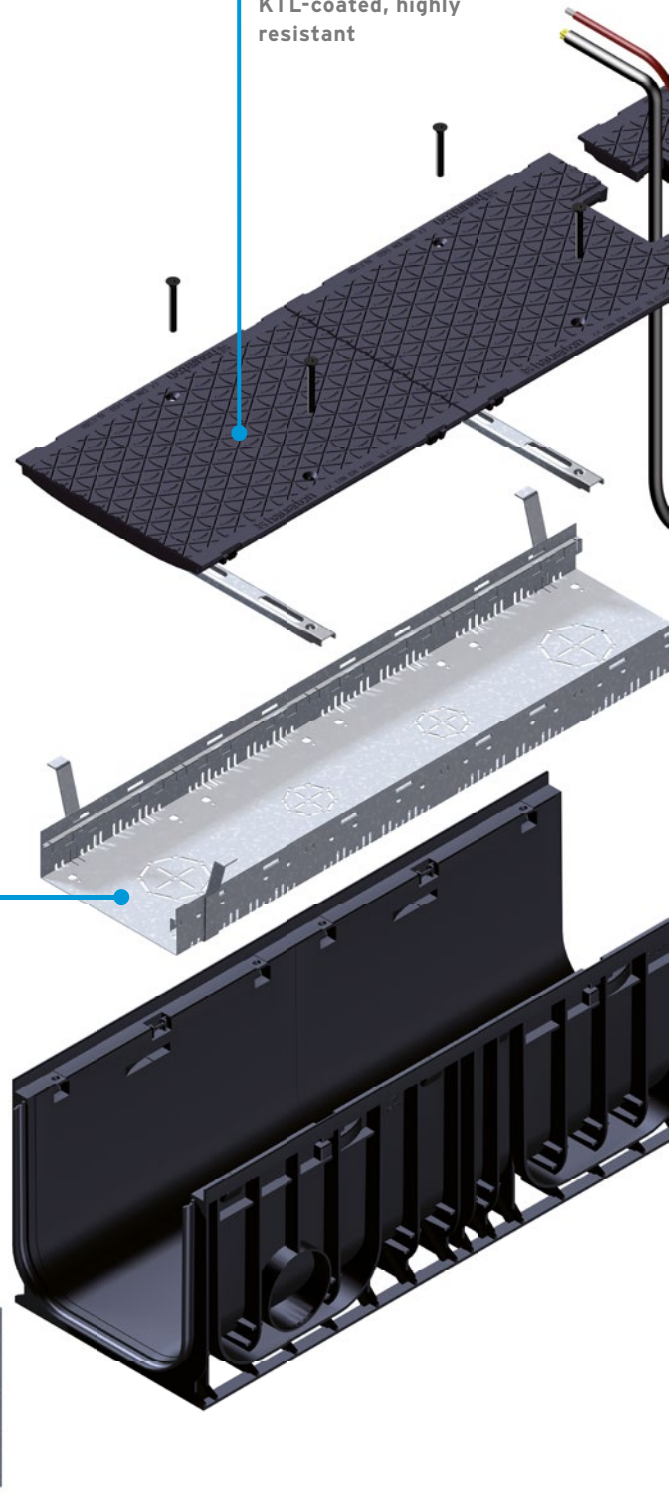


**Category C 250,**  
Load class 250 kN

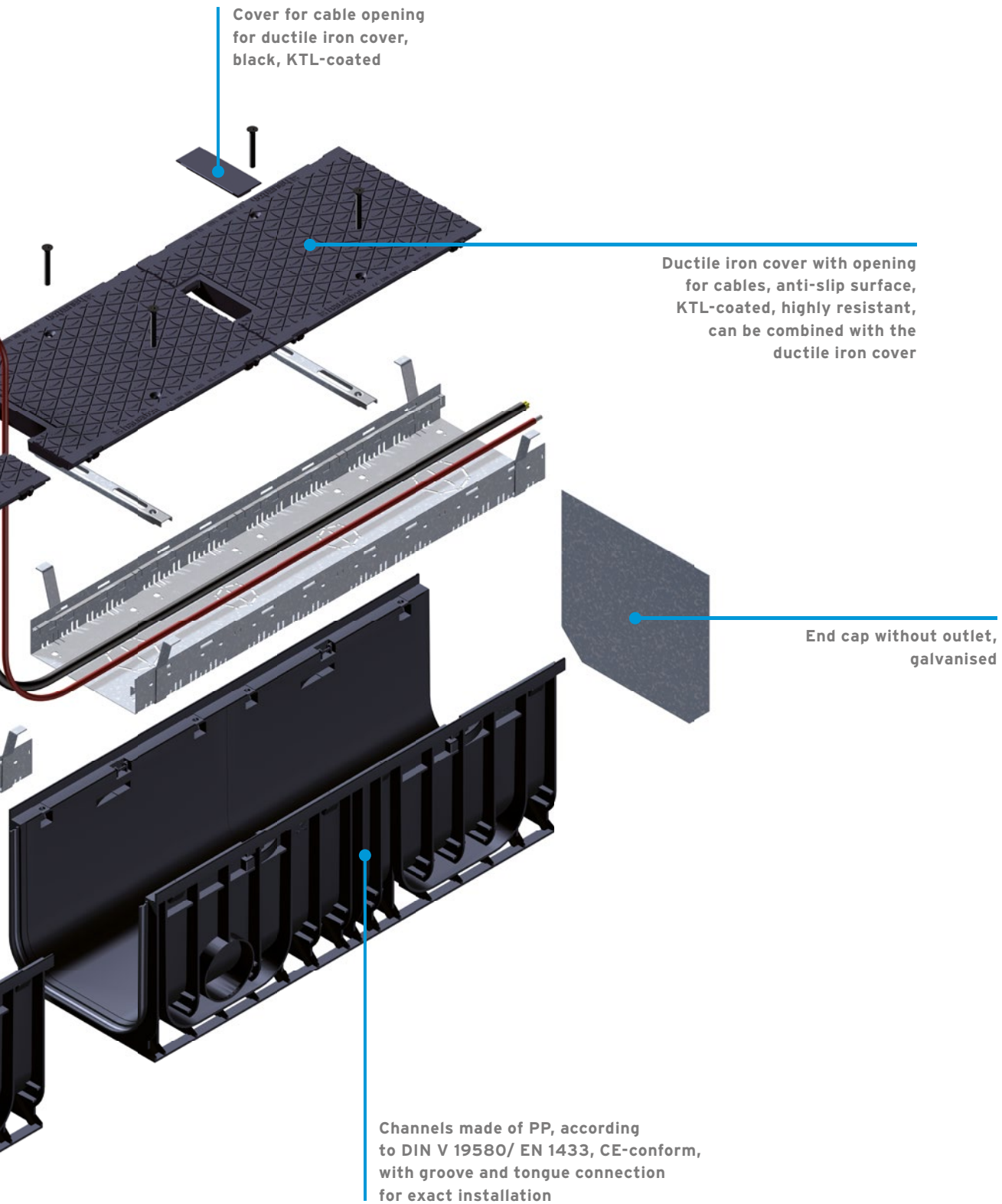
Ductile iron cover,  
with anti-slip surface,  
KTL-coated, highly  
resistant

Cable routing system  
galvanised for laying  
various media and cables

End cap without outlet,  
galvanised





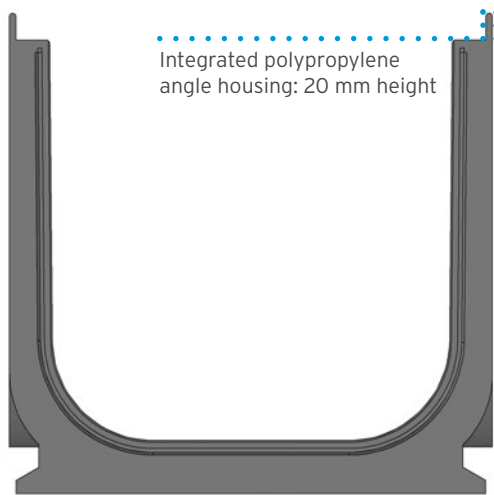


FASERFIX® SUPER
FASERFIX® KS
FASERFIX® BIG-SLG
FASERFIX® BIG-BLS
RECYFIX® PLUS X
RECYFIX® NC
RECYFIX® MONOTEC
RECYFIX® HICAP-PF
FASERFIX® POINT KS
FASERFIX® TRAFFIC GUGIBLOC RECYFIX® TRAFFIC GUGIBLOC
<b>SERVICE CHANNEL</b>

RECYCLABLE.  
LIGHT.  
RELIABLE.

**Ideal for:**

Floor-mounted cable routing applications which are easily accessible at all times.



## SERVICE CHANNEL RECYFIX PRO

Made of polypropylene with 20 mm integrated polypropylene angle housing

**Nominal width:**

- NW 200
- NW 300

**Load class:**

**C 250;** medium load situations with moderate traffic



**DIN 19580 / EN 1433**

The load classes are described in DIN 19580 / EN 1433 and standardised in classes A 15 to F 900. The specified values refer to the test load in kilonewtons (kN).

FASERFIX®  
SUPER

FASERFIX®  
KS

FASERFIX®  
BIG-SLG

FASERFIX®  
BIG-BLS

RECYFIX®  
PLUS X

RECYFIX®  
NC

RECYFIX®  
MONOTEC

RECYFIX®  
HICAP-PF

FASERFIX®  
POINT KS

FASERFIX®  
TRAFFIC-GUGIBLOC  
RECYFIX®  
TRAFFIC-GUGIBLOC

SERVICE  
CHANNEL

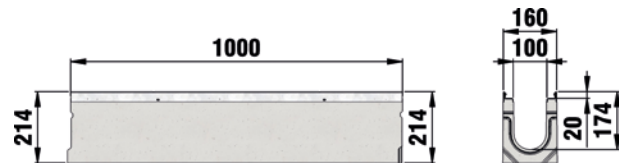


# SERVICE CHANNEL 100

## Systems SERVICE CHANNELS

**SERVICE CHANNEL FASERFIX®KS 100** made of fibre-reinforced concrete with 20 mm angle housing, **class E 600**

Type 010, 1,0 m



Ductile iron solid cover, black, KTL-coated, locked, 0,5 m



End cap closed, galvanised, type 010



Installation aid NW 100 (exclusively for laying channels! For laying 2 pieces are necessary) - due to security reasons no return can be made

	Length mm	Width mm	Height mm	Internal channel cross-sect. cm <sup>2</sup>	Weight kg	Item No.
Type 010, 1,0 m	1000	160	214	143	40,21	32049
Type 20, 1,0 m	1000	160	274	206	49,00	32050
Ductile iron solid cover, black, KTL-coated, locked, 0,5 m	500	149	20	-	4,70	32051
End cap closed, galvanised, type 010	-	160	214	0,48	0,48	32052
End cap closed, galvanised, type 020	-	160	274	0,64	0,64	32053
Installation aid NW 100 (exclusively for laying channels! For laying 2 pieces are necessary) - due to security reasons no return can be made	-	-	-	1,60	1,60	705

# SERVICE CHANNEL 100

## Accessories

### Factory-made services



Cutting to length of NW 100



Mitre cuts NW 100 (price per cut, two cuts necessary)

	Length mm	Width mm	Height mm	Weight kg	Item No.
Cutting to length of NW 100	-	-	-	-	990
Mitre cuts NW 100 (price per cut, two cuts necessary)	-	-	-	-	995

FASERFIX®  
SUPER

FASERFIX®  
KS

FASERFIX®  
BIG-SLG

FASERFIX®  
BIG-BLS

RECYFIX®  
PLUS X

RECYFIX®  
NC

RECYFIX®  
MONOTEC

RECYFIX®  
HICAP-PF

FASERFIX®  
POINT KS

FASERFIX®  
TRAFFIC-GUGIBLOC  
RECYFIX®  
TRAFFIC-GUGIBLOC

SERVICE  
CHANNEL

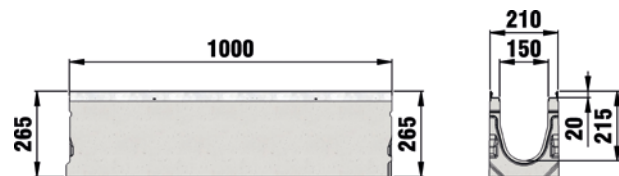


# SERVICE CHANNEL 150

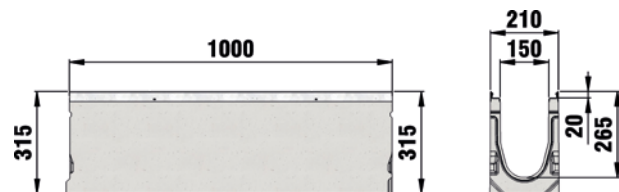
## Systems SERVICE CHANNELS

**SERVICE CHANNEL FASERFIX®KS 150** made of fibre-reinforced concrete with 20 mm angle housing, **class E 600**

Type 010, 1,0 m



Type 020, 1,0 m



Ductile iron solid cover, black, KTL-coated, locked, 0,5 m



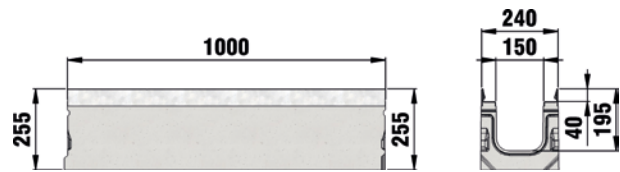
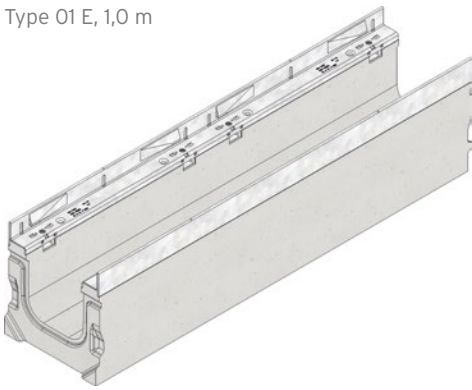
End cap closed, galvanised, type 010

	Length mm	Width mm	Height mm	Internal channel cross-sect. cm <sup>2</sup>	Weight kg	Item No.
Type 010, 1,0 m	1000	210	265	245	60,17	32054
Type 020, 1,0 m	1000	210	315	312	69,55	32055
Ductile iron solid cover, black, KTL-coated, locked, 0,5 m	500	199	20	-	7,00	32059
End cap closed, galvanised, type 010	-	210	265	0,83	0,83	32061
End cap closed, galvanised, type 020	-	210	315	0,99	0,99	32062
Installation aid NW 150 (exclusively for laying channels! For laying 2 pieces are necessary) - due to security reasons no return can be made	-	-	-	2,09	2,09	136018

# SERVICE CHANNEL 150

**SERVICE CHANNEL FASERFIX®SUPER 150** made of fibre-reinforced concrete with 40 mm angle housing, **class E 600**

Type 01 E, 1,0 m



Ductile iron solid cover, black, with plastic caps, 0,5 m



Ductile iron solid cover, black, KTL-coated, with plastic caps, locked, 0,5 m



End cap closed, galvanised, type 01 E

	Length mm	Width mm	Height mm	Internal channel cross-sect. cm <sup>2</sup>	Weight kg	Item No.
Type 01 E, 1,0 m	1000	240	255	223	80,00	32056
Ductile iron solid cover, black, with plastic caps, 0,5 m	500	229	40	-	10,70	32060
Ductile iron solid cover, black, KTL-coated, with plastic caps, locked, 0,5 m	500	229	40	-	10,65	32345
End cap closed, galvanised, type 01 E	-	240	255	0,92	0,92	32063
Installation aid NW 150 (exclusively for laying channels! For laying 2 pieces are necessary) - due to security reasons no return can be made	-	-	-	2,09	2,09	136018

## Accessories

### Factory-made services



Cutting to length of NW 150

	Length mm	Width mm	Height mm	Weight kg	Item No.
Cutting to length of NW 150	-	-	-	-	991
Mitre cuts NW 150 (price per cut, two cuts necessary)	-	-	-	-	996

FASERFIX®  
SUPER

FASERFIX®  
KS

FASERFIX®  
BIG-SLG

FASERFIX®  
BIG-BLS

RECYFIX®  
PLUS X

RECYFIX®  
NC

RECYFIX®  
MONOTEC

RECYFIX®  
HICAP-PF

FASERFIX®  
POINT KS

FASERFIX®  
TRAFFIC GUGIBLOC  
RECYFIX®  
TRAFFIC GUGIBLOC

SERVICE  
CHANNEL

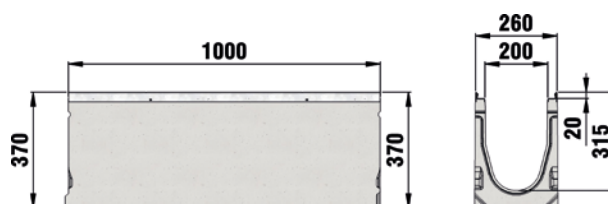


# SERVICE CHANNEL 200

## Systems SERVICE CHANNELS

**SERVICE CHANNEL FASERFIX®KS 200** made of fibre-reinforced concrete with 20 mm angle housing, **class C 250 / E 600**

Type O20, 1,0 m



Ductile iron solid cover, black, KTL-coated, class C 250, locked, 0,5 m



Ductile iron solid cover with opening for cables, (SW 128/49 mm), black, KTL-coated class C 250, locked, 0,5 m



Ductile iron solid cover, black, KTL-coated, class E 600, locked, 0,5 m



Cover for cable opening for ductile iron solid cover, KTL-coated steel, black



End cap closed, galvanised, type O10



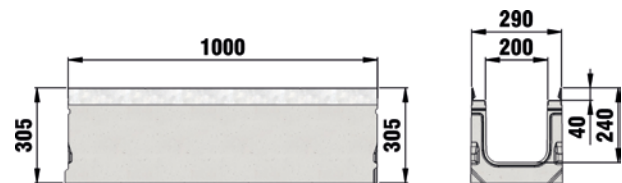
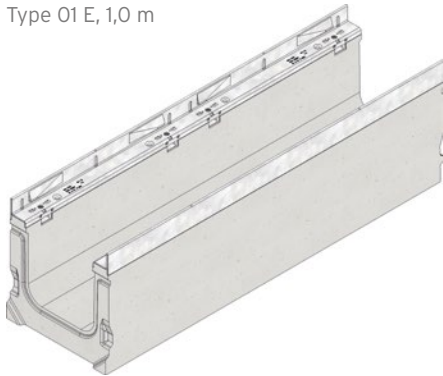
End cap closed, galvanised, type O20

	Length mm	Width mm	Height mm	Internal channel cross-sect. cm <sup>2</sup>	Weight kg	Item No.
Type O10, 1,0 m	1000	260	320	409	84,92	32066
Type O20, 1,0 m	1000	260	370	509	91,64	32067
Ductile iron solid cover, black, KTL-coated, class C 250, locked, 0,5 m	500	249	20	-	7,35	32033
Ductile iron solid cover with opening for cables, (SW 128/49 mm), black, KTL-coated class C 250, locked, 0,5 m	500	249	20	-	8,09	32037
Ductile iron solid cover, black, KTL-coated, class E 600, locked, 0,5 m	500	249	20	-	8,70	32072
Cover for cable opening for ductile iron solid cover, KTL-coated steel, black	152	59	20	-	-	32048
End cap closed, galvanised, type O10	-	260	320	1,23	1,23	32076
End cap closed, galvanised, type O20	-	260	370	1,46	1,46	32077
Installation aid NW 200 (exclusively for laying channels! For laying 2 pieces are necessary) - due to security reasons no return can be made	-	-	-	2,62	2,62	136202

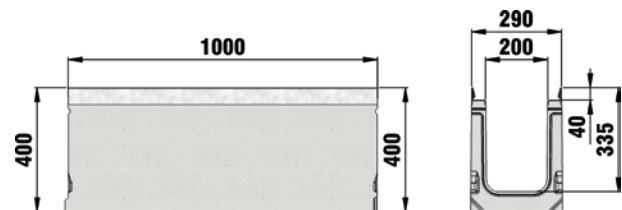
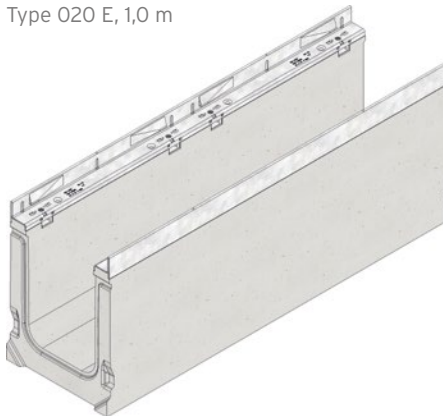
# SERVICE CHANNEL 200

**SERVICE CHANNEL FASERFIX®SUPER 200** made of fibre-reinforced concrete with 40 mm angle housing, **class E 600**

Type 01 E, 1,0 m



Type 020 E, 1,0 m



Ductile iron solid cover, black, with plastic caps, 0,5 m



Ductile iron solid cover, black, KTL-coated, with plastic cap, locked, 0,5 m



End cap closed, galvanised, type 010 E



End cap closed, galvanised, type 020 E

	Length mm	Width mm	Height mm	Internal channel cross-sect. cm <sup>2</sup>	Weight kg	Item No.
Type 01 E, 1,0 m	1000	290	305	386	104,50	32068
Type 010 E, 1,0 m	1000	290	350	473	113,50	32069
Type 020 E, 1,0 m	1000	290	400	568	124,50	32070
Ductile iron solid cover, black, with plastic caps, 0,5 m	500	279	40	-	13,40	32073
Ductile iron solid cover, black, KTL-coated, with plastic cap, locked, 0,5 m	500	279	40	-	13,40	32348
End cap closed, galvanised, type 01 E	-	290	305	1,43	1,43	32078
End cap closed, galvanised, type 010 E	-	290	350	1,66	1,66	32079
End cap closed, galvanised, type 020 E	-	290	400	1,88	1,88	32080
Installation aid NW 200 (exclusively for laying channels! For laying 2 pieces are necessary) - due to security reasons no return can be made	-	-	-	2,62	2,62	136202

FASERFIX®  
SUPER

FASERFIX®  
KS

FASERFIX®  
BIG-SLG

FASERFIX®  
BIG-BLS

RECYFIX®  
PLUS X

RECYFIX®  
NC

RECYFIX®  
MONOTEC

RECYFIX®  
HICAP-PF

FASERFIX®  
POINT KS

FASERFIX®  
TRAFFIC-GUGIBLOC  
RECYFIX®  
TRAFFIC-GUGIBLOC

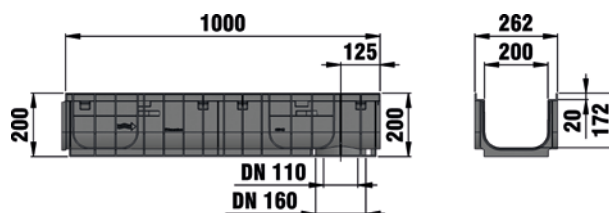
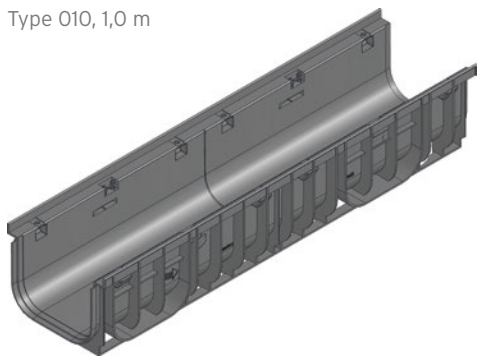
SERVICE  
CHANNEL

# SERVICE CHANNEL 200

## Systems SERVICE CHANNELS

**SERVICE CHANNEL RECYFIX®PRO 200** made of polypropylene with 20 mm integrated polypropylene angle housing, **class C 250**

Type 010, 1,0 m



Ductile iron solid cover, black, KTL-coated, locked, 0,5 m



Ductile iron solid cover with opening for cables, (128 mm x 49 mm), black, KTL-coated, locked, 0,5 m



Cover for cable opening for ductile iron solid cover, KTL-coated steel, black



End cap with or without horizontal pipe outlet DN/OD 110, modified PP, type 010

	Length mm	Width mm	Height mm	Internal channel cross-sect. cm <sup>2</sup>	Weight kg	Item No.
Type 010, 1,0 m	1000	262	200	294	3,17	32071
Ductile iron solid cover, black, KTL-coated, locked, 0,5 m	500	249	20	-	8,41	32074
Ductile iron solid cover with opening for cables, (128 mm x 49 mm), black, KTL-coated, locked, 0,5 m	500	249	20	-	8,09	32075
Cover for cable opening for ductile iron solid cover, KTL-coated steel, black	152	59	20	-	-	32048
End cap with or without horizontal pipe outlet DN/OD 110, modified PP, type 010	-	258	217	0,20	0,20	32081
Locking handle and screw	-	-	-	0,05	0,05	32082



# SERVICE CHANNEL 200

## Accessories

### Cable routing system



Cable tray, galvanised,  
FASERFIX SUPER /  
RECYFIX PRO 200, 1,0 m

	Length mm	Width mm	Height mm	Weight kg	Item No.
Cable tray, galvanised, SERVICE CHANNEL FASERFIX KS 200, 1,0 m	-	-	-	2,74	32083
Cable tray, galvanised, FASERFIX SUPER / RECYFIX PRO 200, 1,0 m	-	-	-	2,73	32084

### Factory-made services



Cutting to length  
of NW 200

	Length mm	Width mm	Height mm	Weight kg	Item No.
Cutting to length of NW 200	-	-	-	-	992
Mitre cuts NW 200 (price per cut, two cuts necessary)	-	-	-	-	997

FASERFIX®  
SUPER

FASERFIX®  
KS

FASERFIX®  
BIG-SLG

FASERFIX®  
BIG-BLS

RECYFIX®  
PLUS X

RECYFIX®  
NC

RECYFIX®  
MONOTEC

RECYFIX®  
HICAP-PF

FASERFIX®  
POINT KS

FASERFIX®  
TRAFFIC GUGIBLOC  
RECYFIX®  
TRAFFIC GUGIBLOC

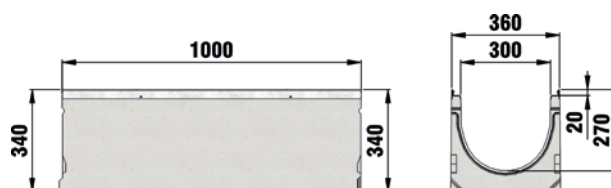
SERVICE  
CHANNEL

# SERVICE CHANNEL 300

## Systems SERVICE CHANNELS

**SERVICE CHANNEL FASERFIX®KS 300** made of fibre-reinforced concrete with 20 mm angle housing, **class C 250**

Type 010, 1,0 m



Ductile iron solid cover, black, KTL-coated, locked, 0,5 m



Ductile iron solid cover with opening for cables, (SW 128/49 mm), black, KTL-coated, locked, 0,5 m



Cover for cable opening for ductile iron solid cover, KTL-coated steel, black



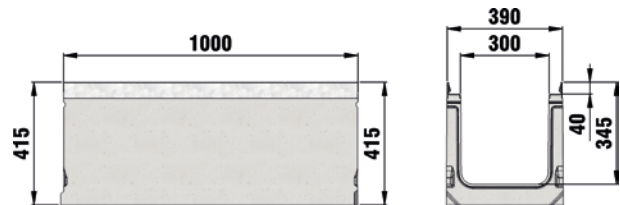
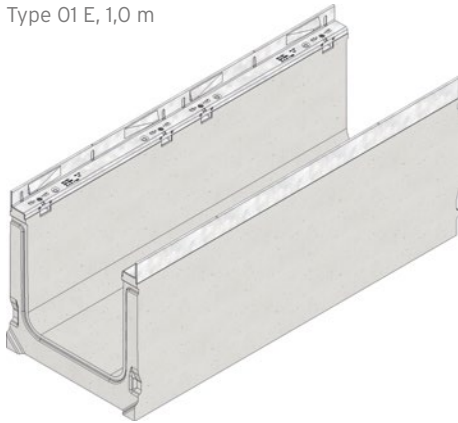
End cap closed, galvanised, type 010

	Length mm	Width mm	Height mm	Internal channel cross-sect. cm <sup>2</sup>	Weight kg	Item No.
Type 010, 1,0 m	1000	360	340	634	117,21	32085
Ductile iron solid cover, black, KTL-coated, locked, 0,5 m	500	349	20	-	11,80	32041
Ductile iron solid cover with opening for cables, (SW 128/49 mm), black, KTL-coated, locked, 0,5 m	500	349	20	-	14,10	32045
Cover for cable opening for ductile iron solid cover, KTL-coated steel, black	152	59	20	-	-	32048
End cap closed, galvanised, type 010	-	360	340	1,87	1,87	32091
Installation aid NW 300 (exclusively for laying channels! For laying 2 pieces are necessary) - due to security reasons no return can be made	-	-	-	3,66	3,66	136242

# SERVICE CHANNEL 300

**SERVICE CHANNEL FASERFIX®SUPER 300** made of fibre-reinforced concrete with 40 mm angle housing, **class E 600**

Type 01 E, 1,0 m



Ductile iron solid cover, black, with plastic caps, 0,5 m



Ductile iron solid cover, black, KTL-coated, with plastic caps, locked, 0,5 m



End cap closed, type 01 E

	Length mm	Width mm	Height mm	Internal channel cross-sect. cm <sup>2</sup>	Weight kg	Item No.
Type 01 E, 1,0 m	1000	390	415	900	133,65	32086
Ductile iron solid cover, black, with plastic caps, 0,5 m	500	377	40	-	21,50	32088
Ductile iron solid cover, black, KTL-coated, with plastic caps, locked, 0,5 m	500	377	40	-	21,50	32346
End cap closed, type 01 E	-	390	415	2,67	2,67	32092
Installation aid NW 300 (exclusively for laying channels! For laying 2 pieces are necessary) - due to security reasons no return can be made	-	-	-	3,66	3,66	136242

FASERFIX®  
SUPER

FASERFIX®  
KS

FASERFIX®  
BIG-SLG

FASERFIX®  
BIG-BLS

RECYFIX®  
PLUS X

RECYFIX®  
NC

RECYFIX®  
MONOTEC

RECYFIX®  
HICAP-F

FASERFIX®  
POINT KS

FASERFIX®  
TRAFFIC GUGIBLOC  
RECYFIX®  
TRAFFIC GUGIBLOC

SERVICE  
CHANNEL

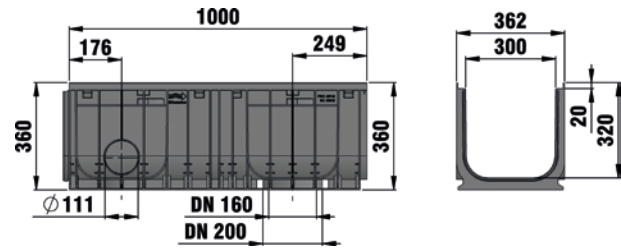
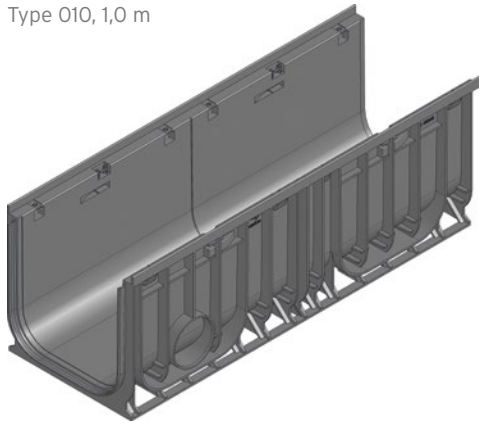


# SERVICE CHANNEL 300

## Systems SERVICE CHANNELS

**SERVICE CHANNEL RECYFIX®PRO 300** made of polypropylene with 20 mm integrated polypropylene angle housing, **class C 250**

Type 010, 1,0 m



Ductile iron solid cover, black, KTL-coated, locked, 0,5 m



Ductile iron solid cover with opening for cables, (SW 128/49 mm), black, KTL-coated, locked, 0,5 m



Cover for cable opening for ductile iron solid cover, KTL-coated steel, black



Locking handle and screw



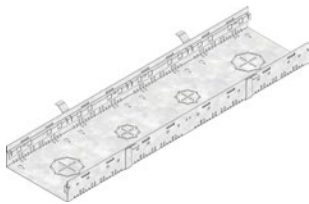
End cap closed, galvanised, type 010

	Length mm	Width mm	Height mm	Internal channel cross-sect. cm <sup>2</sup>	Weight kg	Item No.
Type 010, 1,0 m	1000	362	360	873	7,64	32087
Ductile iron solid cover, black, KTL-coated, locked, 0,5 m	500	349	20	-	11,80	32089
Ductile iron solid cover with opening for cables, (SW 128/49 mm), black, KTL-coated, locked, 0,5 m	500	349	20	-	14,10	32090
Cover for cable opening for ductile iron solid cover, KTL-coated steel, black	152	59	20	-	-	32048
Locking handle and screw	-	-	-	0,35	0,35	32094
End cap closed, galvanised, type 010	-	360	360	1,87	1,87	32093

# SERVICE CHANNEL 300

## Accessories

### Cable routing system



Cable tray, galvanised, SERVICE CHANNEL FASERFIX KS 300, 1,0 m



Cable tray, galvanised, SERVICE CHANNEL FASERFIX SUPER/RECYFIX PRO 300, 1,0 m

	Length mm	Width mm	Height mm	Weight kg	Item No.
Cable tray, galvanised, SERVICE CHANNEL FASERFIX KS 300, 1,0 m	-	-	-	3,21	32095
Cable tray, galvanised, SERVICE CHANNEL FASERFIX SUPER/RECYFIX PRO 300, 1,0 m	-	-	-	4,20	32096

### Factory-made services



Cutting to length of NW 300



Mitre cuts NW 300 (price per cut, two cuts necessary)

	Length mm	Width mm	Height mm	Weight kg	Item No.
Cutting to length of NW 300	-	-	-	-	993
Mitre cuts NW 300 (price per cut, two cuts necessary)	-	-	-	-	998

FASERFIX®  
SUPER

FASERFIX®  
KS

FASERFIX®  
BIG-SLG

FASERFIX®  
BIG-BLS

RECYFIX®  
PLUS X

RECYFIX®  
NC

RECYFIX®  
MONOTEC

RECYFIX®  
HICAP-PF

FASERFIX®  
POINT KS

FASERFIX®  
TRAFFIC GUGIBLOC  
RECYFIX®  
TRAFFIC GUGIBLOC

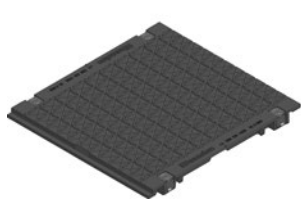
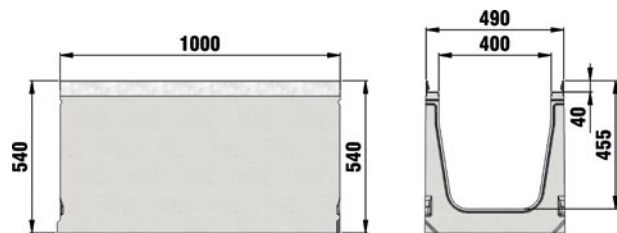
SERVICE  
CHANNEL

# SERVICE CHANNEL 400

## Systems SERVICE CHANNELS

**SERVICE CHANNEL FASERFIX®SUPER 400** made of fibre-reinforced concrete with 40 mm angle housing, **class E 600**

Type 01 E, 1,0 m



Ductile iron solid cover, black, with plastic caps, 0,5 m



End cap closed, galvanised, type 01



Installation aid NW 400 (exclusively for laying channels! For laying 2 pieces are necessary) - due to security reasons no return can be made

	Length mm	Width mm	Height mm	Internal channel cross-sect. cm <sup>2</sup>	Weight kg	Item No.
Type 01 E, 1,0 m	1000	490	540	1498	255,00	32097
Ductile iron solid cover, black, with plastic caps, 0,5 m	500	477	40	-	32,00	32098
End cap closed, galvanised, type 01	-	490	540	4,90	4,90	32099
Installation aid NW 400 (exclusively for laying channels! For laying 2 pieces are necessary) - due to security reasons no return can be made	-	-	-	5,23	5,23	136304



# SERVICE CHANNEL 400

## Accessories

### Factory-made services



Cutting to length of NW 400

	Length mm	Width mm	Height mm	Weight kg	Item No.
Cutting to length of NW 400	-	-	-	-	985
Mitre cuts NW 400 (price per cut, two cuts necessary)	-	-	-	0,01	949

FASERFIX®  
SUPER

FASERFIX®  
KS

FASERFIX®  
BIG-SLG

FASERFIX®  
BIG-BLS

RECYFIX®  
PLUS X

RECYFIX®  
NC

RECYFIX®  
MONOTEC

RECYFIX®  
HICAP-PF

FASERFIX®  
POINT KS

FASERFIX®  
TRAFFIC GUGIBLOC  
RECYFIX®  
TRAFFIC GUGIBLOC

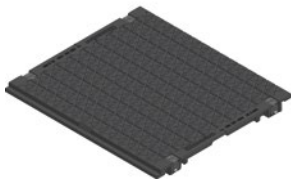
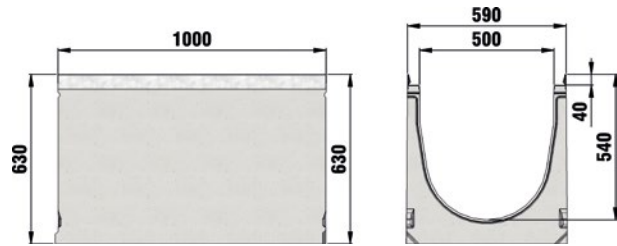
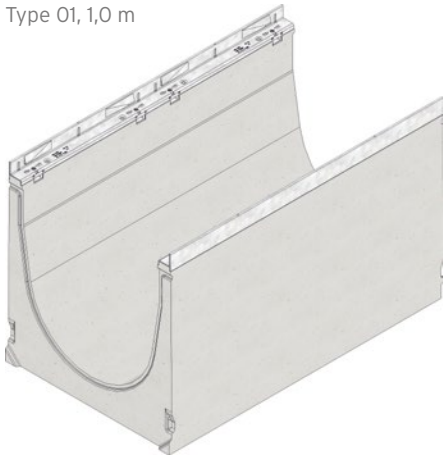
SERVICE  
CHANNEL

# SERVICE CHANNEL 500

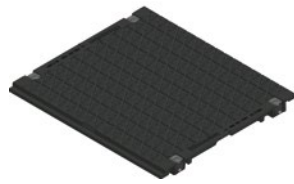
## Systems SERVICE CHANNELS

**SERVICE CHANNEL FASERFIX®SUPER 500** made of fibre-reinforced concrete with 40 mm angle housing, **class E 600**

Type 01, 1,0 m



Ductile iron solid cover, black, with plastic caps, 0,5 m



Ductile iron solid cover, black, KTL-coated, with plastic caps, locked, 0,5 m



End cap closed, galvanised, type 01



Installation aid NW 500 (exclusively for laying channels! For laying 2 pieces are necessary) - due to security reasons no return can be made

	Length mm	Width mm	Height mm	Internal channel cross-sect. cm <sup>2</sup>	Weight kg	Item No.
Type 01, 1,0 m	1000	590	630	-	307,48	32101
Ductile iron solid cover, black, with plastic caps, 0,5 m	500	577	40	-	42,00	32102
Ductile iron solid cover, black, KTL-coated, with plastic caps, locked, 0,5 m	500	577	40	-	42,00	32347
End cap closed, galvanised, type 01	-	590	630	6,79	6,79	32103
Installation aid NW 500 (exclusively for laying channels! For laying 2 pieces are necessary) - due to security reasons no return can be made	-	-	-	6,51	6,51	136366

# SERVICE CHANNEL 500

## Accessories

### Factory-made services



Cutting to length of NW 500

	Length mm	Width mm	Height mm	Weight kg	Item No.
Cutting to length of NW 500	-	-	-	-	989
Mitre cuts NW 500 (price per cut, two cuts necessary)	-	-	-	0,01	959

FASERFIX®  
SUPER

FASERFIX®  
KS

FASERFIX®  
BIG-SLG

FASERFIX®  
BIG-BLS

RECYFIX®  
PLUS X

RECYFIX®  
NC

RECYFIX®  
MONOTEC

RECYFIX®  
HICAP-PF

FASERFIX®  
POINT KS

FASERFIX®  
TRAFFIC GUGIBLOC  
RECYFIX®  
TRAFFIC GUGIBLOC

SERVICE  
CHANNEL